

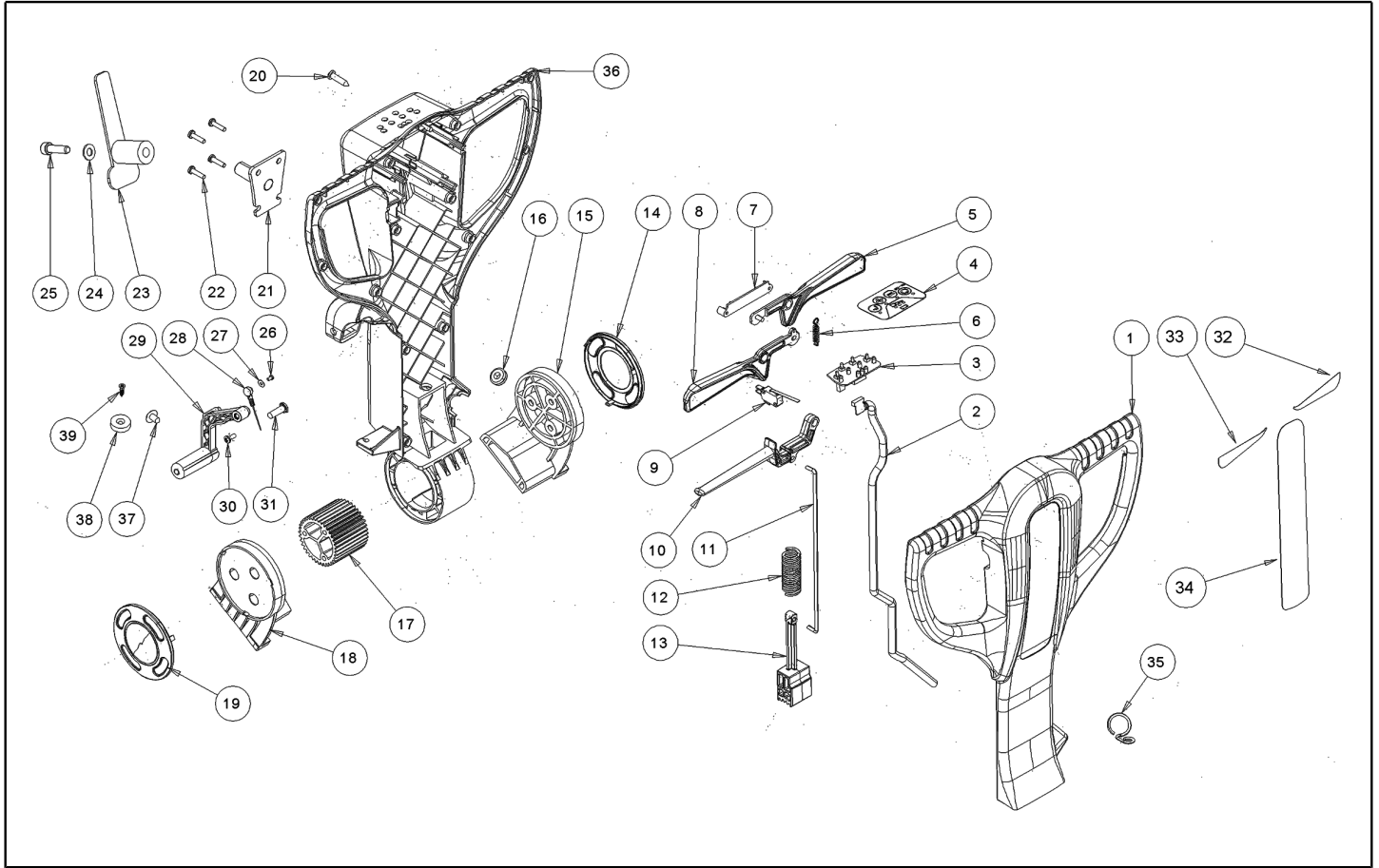


IPC

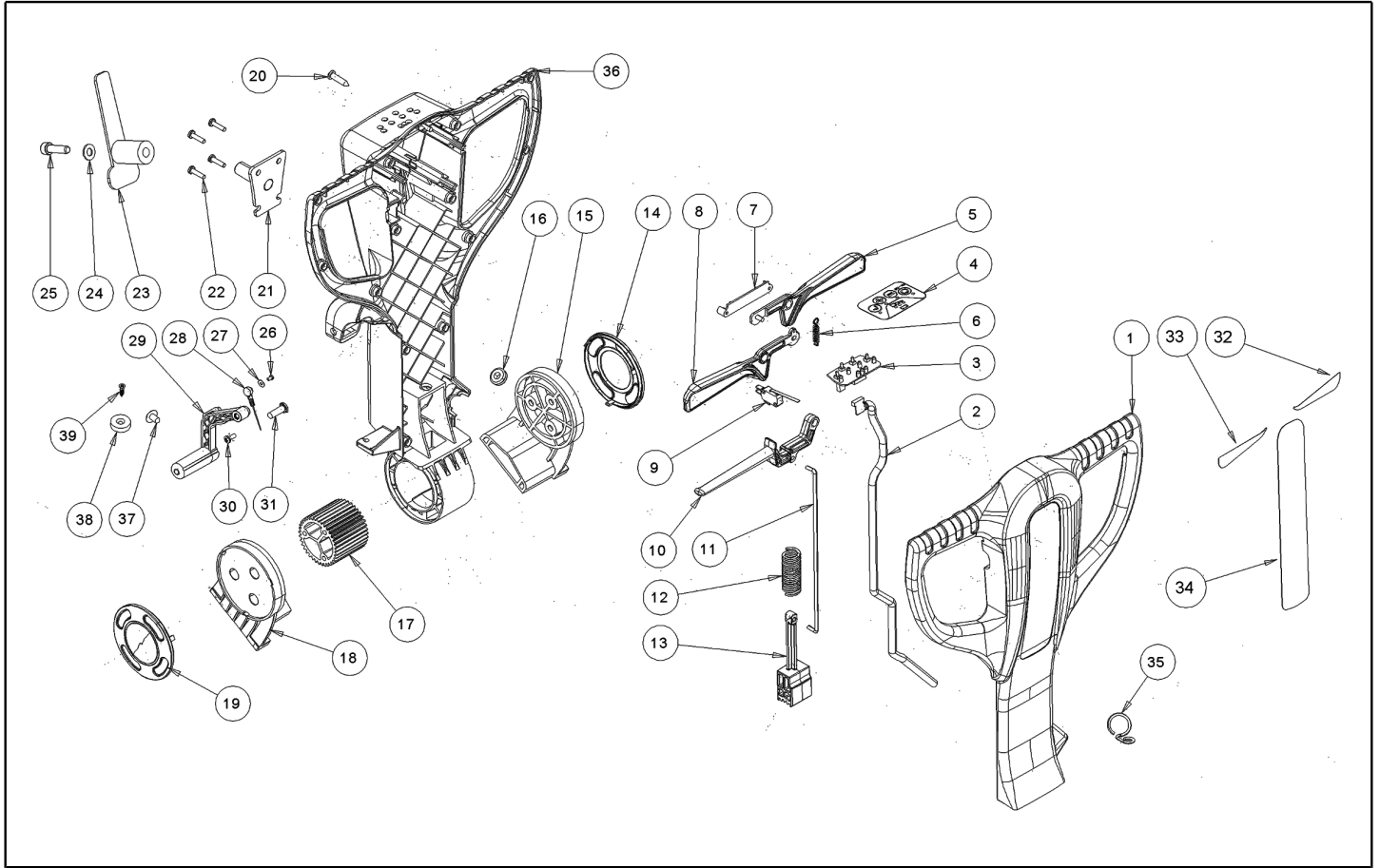
Spare parts list

Ref: LPTE00642

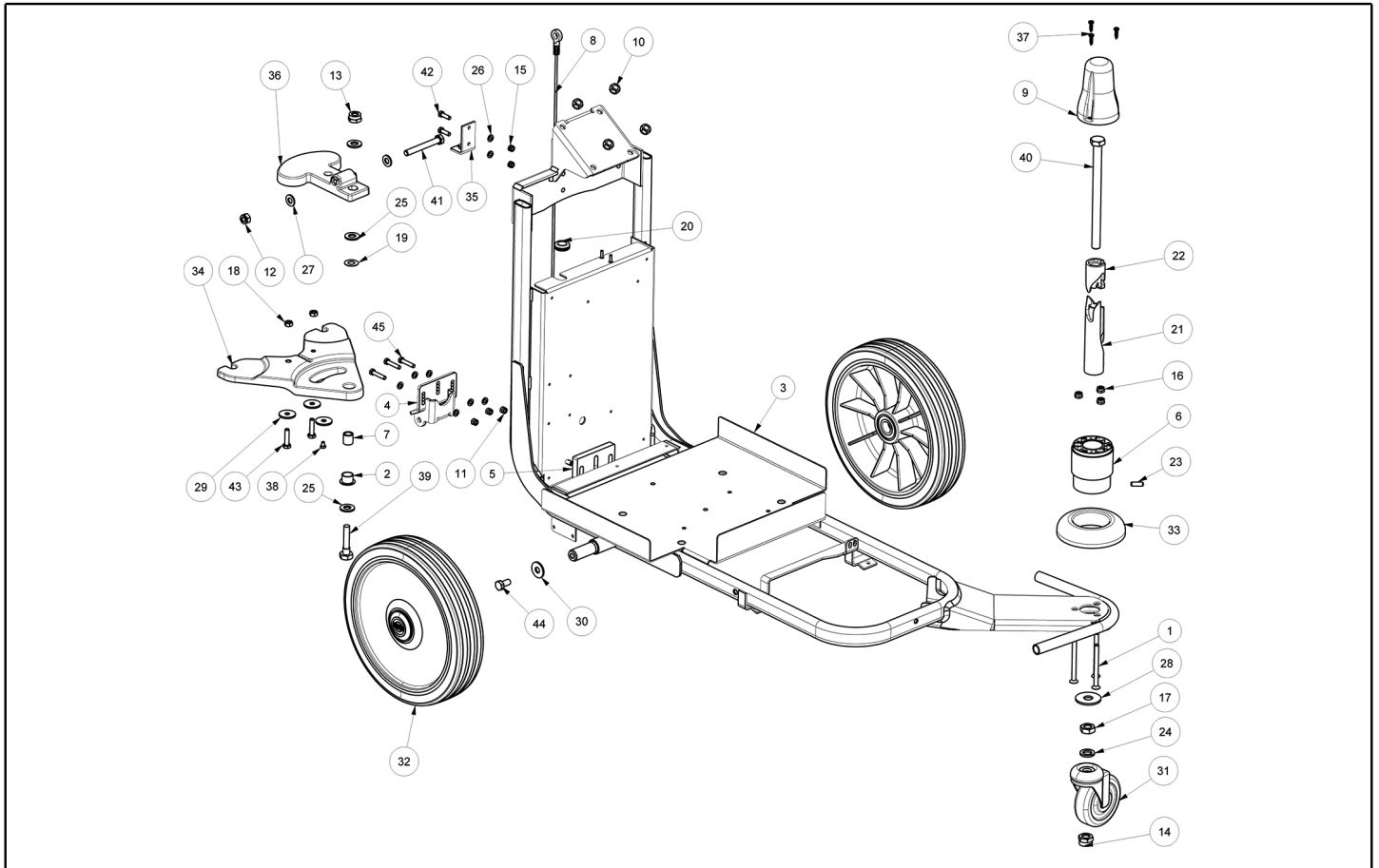
Model: FLOOR WASHER CT46 C50 230V GR/VE



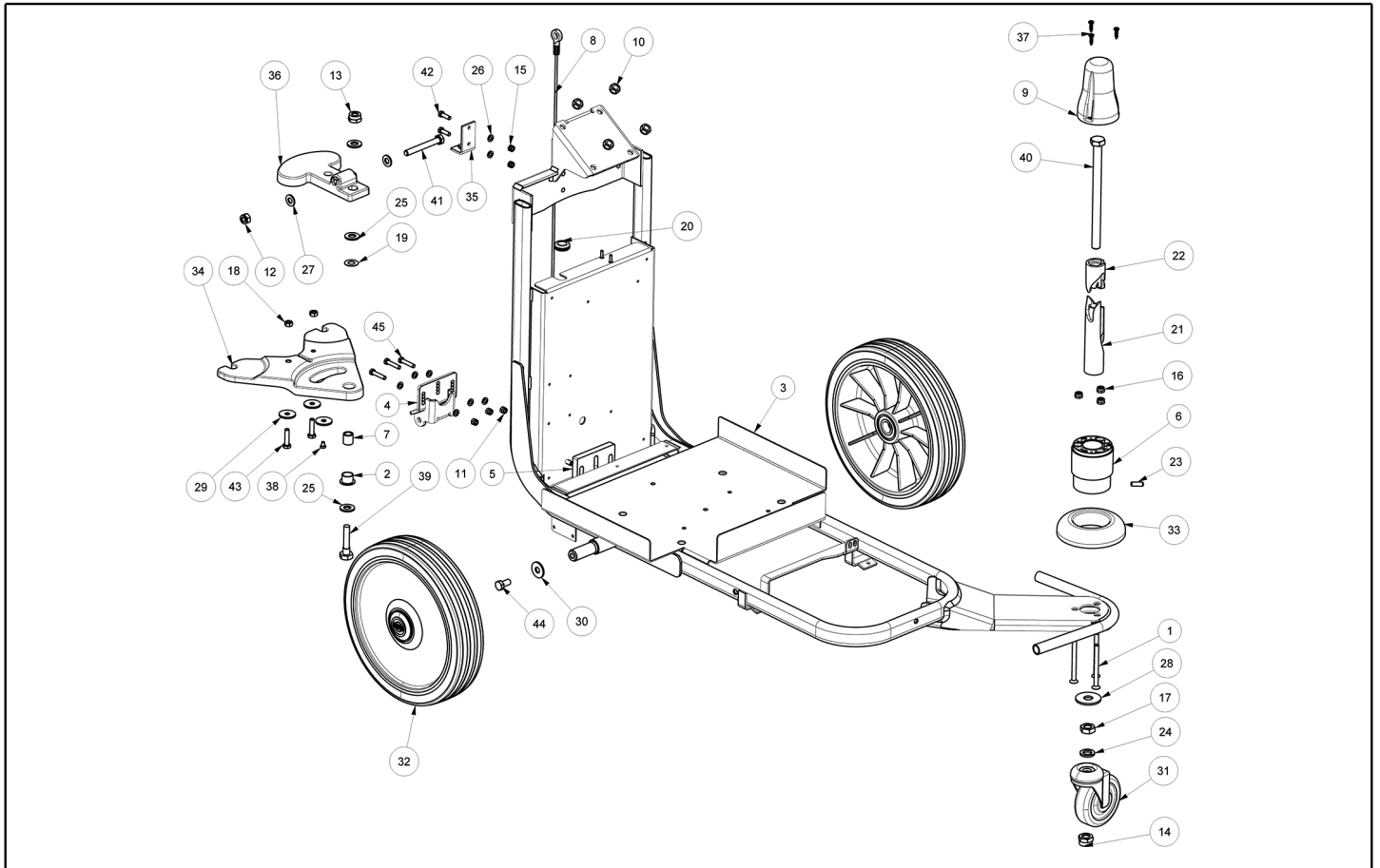
| Ref. K | Part n. | Part n. 2 | Description | Quantity | Validity | | Price |
|--------|-----------|-----------|-------------------------------------|----------|------------|------------|-------|
| | | | | | From | To | |
| 0001 | MPVR06046 | | CRANKCASE NEW HANDLE FRONT 15-30-45 | 1,00 | | | -- |
| 0002 | MECB01257 | | CABLE RIBBON CT15 | 1,00 | | 25/11/2015 | -- |
| 0002 | MECB01396 | | WIRING RIBBON ROUND FLAT CT15-30 | 1,00 | 26/11/2015 | | -- |
| 0003 | MECE00537 | | BOARD LOGIC CT15-CT30 230V | 1,00 | | | -- |
| 0004 | ETET01781 | | LABEL - | 1,00 | | | -- |
| 0005 | MPVR06048 | | LEVER SX | 1,00 | | | -- |
| 0006 | MLML00336 | | SPRING - | 1,00 | | | -- |
| 0007 | MPVR06298 | | SUPPORT ELECTRONIC CARD | 1,00 | | | -- |
| 0008 | MPVR06049 | | LEVER DX | 1,00 | | | -- |
| 0009 | MECI36393 | | MICROSWITCH ACTIVATION TRCTN. | 1,00 | | | -- |
| 0010 | MPVR06050 | | LEVER ADJUSTMENT | 1,00 | | | -- |
| 0011 | LAFN09221 | | LEVER RINVIO | 1,00 | | | -- |
| 0012 | MLML00337 | | SPRING - | 1,00 | | | -- |
| 0013 | MPVR06052 | | HANDLE SUPPORT | 1,00 | | | -- |
| 0014 | MPVR06055 | | COVER - | 1,00 | | | -- |
| 0015 | MPVR06054 | | SHELL SX | 1,00 | | | -- |
| 0016 | MPVR06057 | | FAIR-LEAD HANDLE CT15 | 1,00 | | | -- |
| 0017 | MPVR06056 | | GEAR - | 1,00 | | | -- |
| 0018 | MPVR06053 | | SHELL DX | 1,00 | | | -- |
| 0019 | MPVR06055 | | COVER - | 1,00 | | | -- |
| 0020 | VTVT01371 | | SCREW 4,8X19 | 14,00 | | | -- |
| 0021 | LAFN09222 | | BRACKET - | 1,00 | | | -- |
| 0022 | VTVT48694 | | SCREW TCB TC 5 X12 UNI 9707 TZ | 4,00 | | | -- |
| 0023 | MPVR34714 | | CABLE SUPPORT E 350 | 1,00 | | | -- |
| 0024 | VTRS00230 | | WASHER D. 8 | 1,00 | | | -- |
| 0025 | VTVT63035 | | SCREW TCEI M8X25 BRUNITA | 1,00 | | | -- |
| 0026 | VTVT00800 | | SCREW TC 4X12 ZN | 1,00 | 22/09/2014 | | -- |
| 0027 | VTRS00251 | | WASHER 4-16 INOX A2 | 1,00 | 22/09/2014 | | -- |
| 0028 | CMCV00364 | | CABLE LIFTING SQUEEGEE CT45 NEW | 1,00 | 22/09/2014 | | -- |
| 0029 | MPVR49942 | | LEVER SQUEEGEE LIFTING PP | 1,00 | 22/09/2014 | | -- |
| 0030 | VTVT00796 | | SCREW TC 6X12 | 1,00 | 22/09/2014 | | -- |
| 0031 | LAFN09248 | | PIN - | 1,00 | 22/09/2014 | | -- |
| 0032 | ETET01775 | | LABEL CT15 BLUE | 1,00 | | | -- |
| 0032 | ETET01773 | | LABEL CT15 RED | 1,00 | | | -- |
| 0032 | ETET01770 | | LABEL CT15 GREEN | 1,00 | | | -- |
| 0033 | ETET01775 | | LABEL CT15 BLUE | 1,00 | | | -- |
| 0033 | ETET01773 | | LABEL CT15 RED | 1,00 | | | -- |
| 0033 | ETET01770 | | LABEL CT15 GREEN | 1,00 | | | -- |
| 0034 | ETET01774 | | LABEL CT15 BLUE | 1,00 | | | -- |
| 0034 | ETET01772 | | LABEL CT15 RED | 1,00 | | | -- |
| 0034 | ETET01769 | | LABEL CT15 GREEN | 1,00 | | | -- |
| 0035 | LAFN11049 | | HOOK - | 1,00 | 29/04/2016 | | -- |
| 0036 | MPVR06047 | | CRANKCASE - | 1,00 | | | -- |
| 0037 | VTVT01485 | | SCREW 4,8X9,5 ZN | 1,00 | 10/06/2019 | | -- |



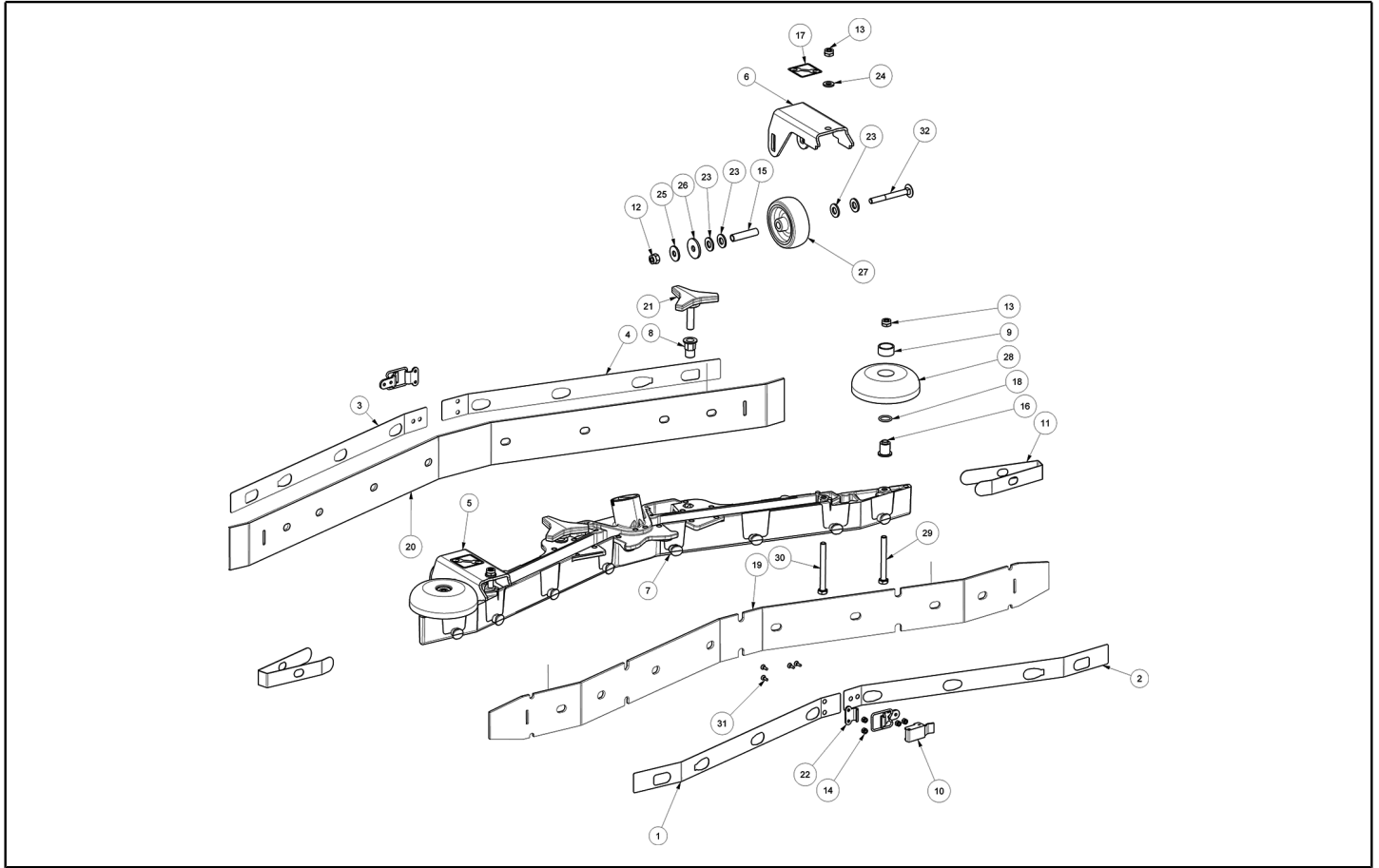
| Ref. K | Part n. | Part n. 2 | Description | Quantity | Validity | | Price |
|--------|-----------|-----------|----------------------------|----------|------------|----|-------|
| | | | | | From | To | |
| 0038 | MEVR02573 | | MAGNET ND D.16 F.3,5 H=5,0 | 1,00 | 10/06/2019 | | -- |
| 0039 | VTVT01594 | | SCREW VITE TSPC 3x12 | 1,00 | 10/06/2019 | | -- |



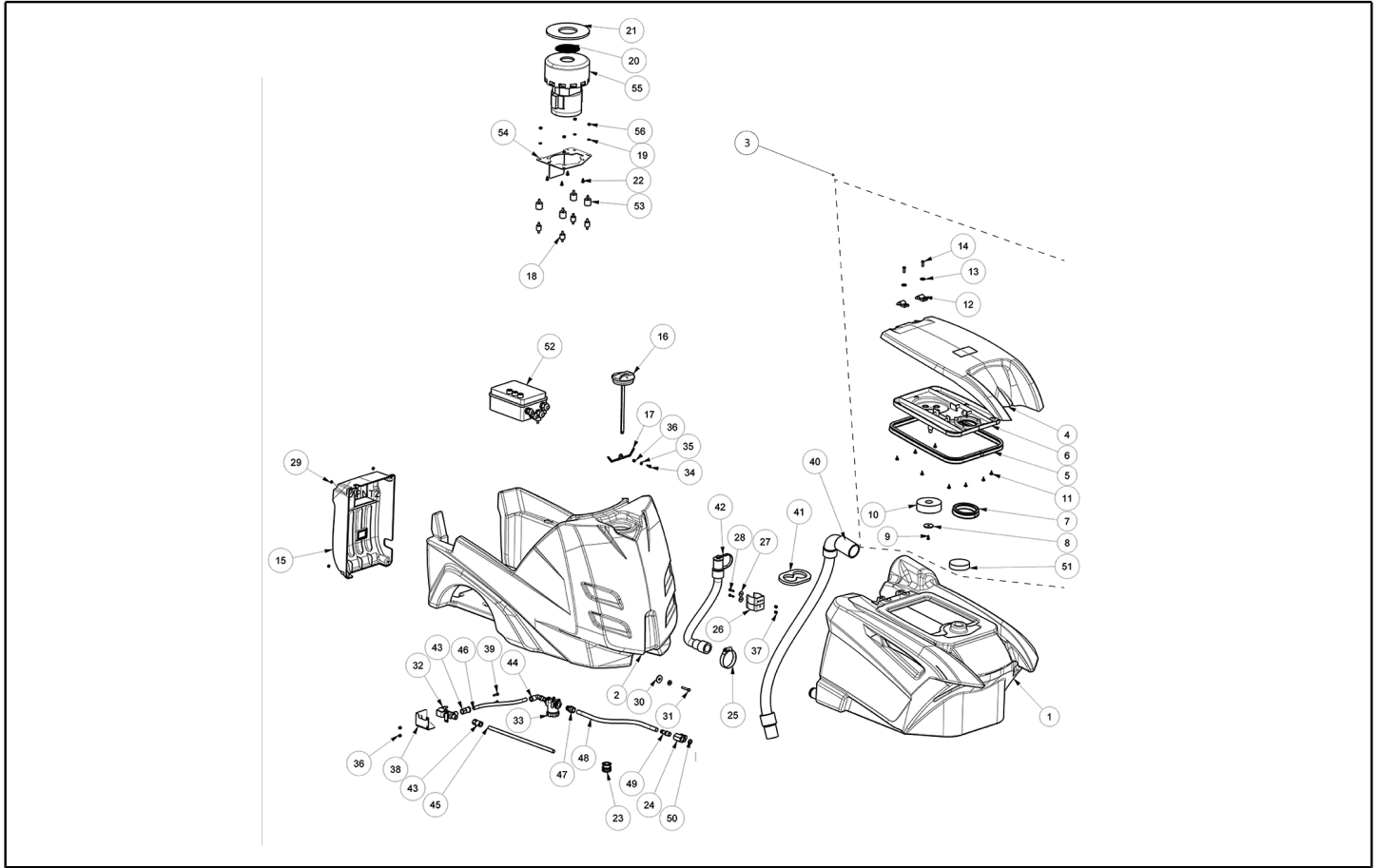
| Ref. K | Part n. | Part n. 2 | Description | Quantity | Validity | | Price |
|--------|-----------|-----------|------------------------------------|----------|------------|------------|-------|
| | | | | | From | To | |
| 0001 | VTVT01160 | | SCREW M6x65 | 3,00 | | | -- |
| 0002 | CUVR00193 | | BUSHING - | 1,00 | | | -- |
| 0003 | LAFN11041 | | FRAME - | 1,00 | | | -- |
| 0004 | LAFN08106 | | COUPLING SQUEEGEE | 1,00 | | | -- |
| 0005 | LAFN11083 | | SPACER - | 1,00 | | 07/09/2017 | -- |
| 0005 | MPVR11193 | | SPACER CT46 | 1,00 | 08/09/2017 | | -- |
| 0006 | MPVR07136 | | BUSHING - | 1,00 | | | -- |
| 0007 | LAFN08067 | | BUSHING CT45 | 1,00 | | | -- |
| 0008 | CMCV00364 | | CABLE LIFTING SQUEEGEE CT45 NEW | 1,00 | | | -- |
| 0009 | MPVR07133 | | COVER - | 1,00 | | | -- |
| 0010 | VTDD00124 | | NUT M8 DIN985 | 4,00 | | | -- |
| 0011 | VTDD15517 | | NUT M 5 INX | 3,00 | | | -- |
| 0012 | VTDD01695 | | NUT M 8 INX | 1,00 | | | -- |
| 0013 | VTDD10310 | | NUT AUTOBL.M10 INOX DIN 985 | 1,00 | | | -- |
| 0014 | VTDD00176 | | NUT M.12 INOX A2 BASSO AUTOB. | 1,00 | | | -- |
| 0015 | VTDD01693 | | NUT M 5 INX | 2,00 | | | -- |
| 0016 | VTDD01694 | | NUT M6 INOX | 3,00 | | | -- |
| 0017 | VTDD00502 | | NUT M12 | 1,00 | | | -- |
| 0018 | VTDD15520 | | NUT M 6 A2 UNI 5588 INX | 2,00 | | | -- |
| 0019 | MLML34767 | | SPRING D.10.2 X20 | 1,00 | | | -- |
| 0020 | MEVR00686 | | FAIR-LEAD DIAMETER 15.5 | 1,00 | | | -- |
| 0021 | MPVR06462 | | PIN - | 1,00 | | | -- |
| 0022 | MPVR06461 | | PIN - | 1,00 | | | -- |
| 0023 | VTVT01382 | | PIN - | 1,00 | | | -- |
| 0024 | VTRS15919 | | WASHER D.12 GROVER UNI 1751 INX | 1,00 | | | -- |
| 0025 | VTRS15523 | | WASHER D.10 X21 INOX UNI 6592 | 3,00 | | | -- |
| 0026 | VTRS00516 | | WASHER D. 5 INX | 8,00 | | | -- |
| 0027 | VTRS13947 | | WASHER D. 8 INX UNI 6592 | 2,00 | | | -- |
| 0028 | VTRS09142 | | WASHER UNI 6593 12X36X2,5 | 1,00 | | | -- |
| 0029 | VTRS16937 | | WASHER 6x24 INOX UNI 6593 | 3,00 | | | -- |
| 0030 | VTRS00512 | | WASHER D. 8 X24 ZC. | 2,00 | | | -- |
| 0031 | RTRT00550 | | WHEEL - | 1,00 | | 23/02/2017 | -- |
| 0031 | RTRT00633 | | WHEEL - | 1,00 | 24/02/2017 | | -- |
| 0032 | RTRT00537 | | WHEEL GRAY d.250 CT15-30-45 | 2,00 | | | -- |
| 0033 | MPVR07134 | | WHEEL - | 1,00 | | | -- |
| 0034 | MFVR00224 | | ARTICULATION SQUEEGEE SUPPORT CT45 | 1,00 | | | -- |
| 0035 | LAFN09365 | | BRACKET - | 1,00 | | | -- |
| 0036 | MFVR00223 | | SUPPORT SQUEEGEE CT45 | 1,00 | | | -- |
| 0037 | VTVT00044 | | SCREW TC AF.X PLAS UNI9707 4X16 | 3,00 | | | -- |
| 0038 | VTVT00881 | | SCREW TC+ M4x6 TRILOBATA INOX | 1,00 | | | -- |
| 0039 | VTVT01169 | | SCREW TE M10X45 | 1,00 | | | -- |
| 0040 | VTVT01171 | | SCREW TE M12x170 UNI5737 | 1,00 | | | -- |
| 0041 | VTVT00757 | | SCREW | 1,00 | | | -- |
| 0042 | VTVT07725 | | SCREW TE 5X16 UNI5739 INX | 2,00 | | | -- |



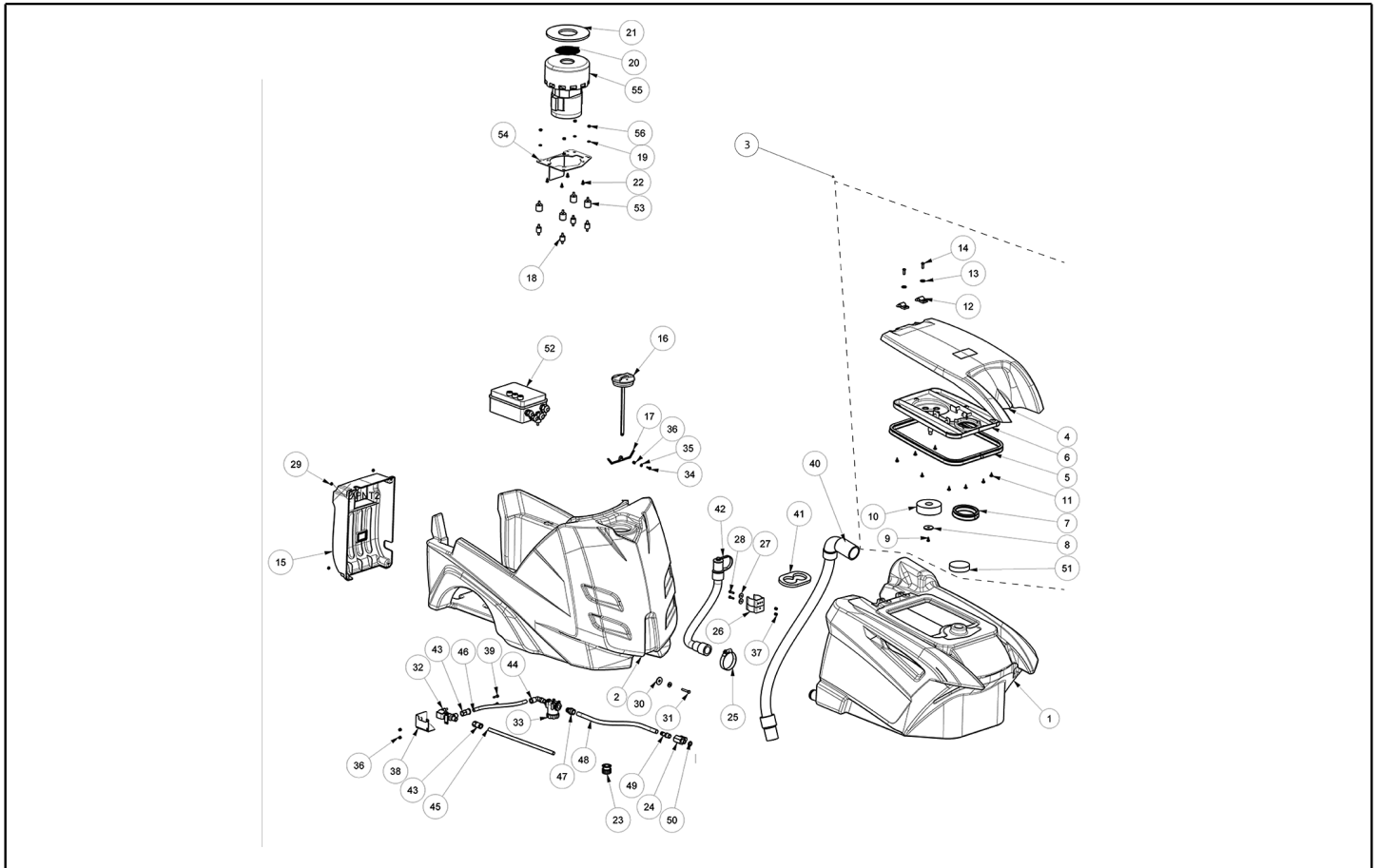
| Ref. K | Part n. | Part n. 2 | Description | Quantity | Validity | | Price |
|--------|-----------|-----------|-------------------------------|----------|----------|----|-------|
| | | | | | From | To | |
| 0043 | VTVT15141 | | SCREW TE M 6X 25 UNI 5739 INX | 2,00 | | | -- |
| 0044 | VTVT01110 | | SCREW TE 8X16 UNI5739 | 2,00 | | | -- |
| 0045 | VTVT00766 | | SCREW TE M. 5-25 | 3,00 | | | -- |



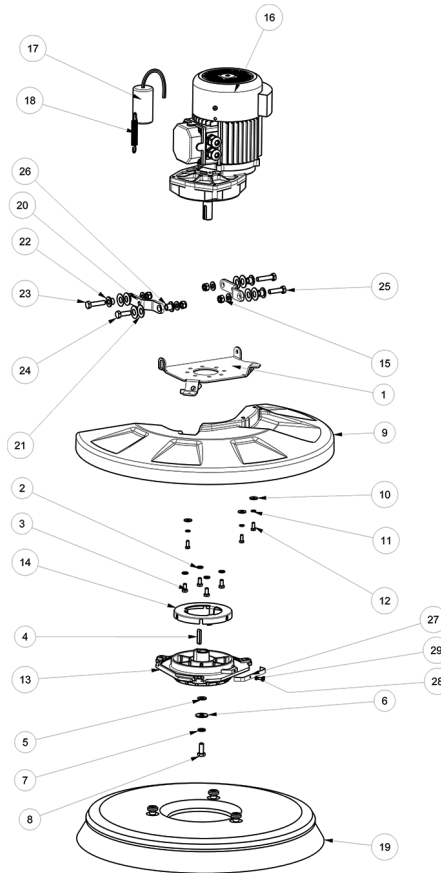
| Ref. K | Part n. | Part n. 2 | Description | Quantity | Validity | | Price |
|--------|-----------|-----------|--------------------------------|----------|----------|----|-------|
| | | | | | From | To | |
| 0001 | LAFN09275 | | BLADE HOLDER FRONT RIGHT XS | 1,00 | | | -- |
| 0002 | LAFN09276 | | BLADE HOLDER FRONT LEFT XS | 1,00 | | | -- |
| 0003 | LAFN09277 | | BLADE HOLDER REAR RIGHT XS | 1,00 | | | -- |
| 0004 | LAFN09278 | | BLADE HOLDER REAR LEFT XS | 1,00 | | | -- |
| 0005 | LAFN09216 | | SUPPORT DX | 1,00 | | | -- |
| 0006 | LAFN09217 | | SUPPORT SX | 1,00 | | | -- |
| 0007 | MFVR00143 | | BODY SQUEEGEE PRESSOFUSO | 1,00 | | | -- |
| 0008 | VTVR00567 | | INSERT - | 2,00 | | | -- |
| 0009 | MPVR49229 | | BUSHING SHK | 2,00 | | | -- |
| 0010 | LAFN09302 | | CLOSURE - | 2,00 | | | -- |
| 0011 | MPVR05897 | | CLOSURE S | 2,00 | | | -- |
| 0012 | VTDD15518 | | NUT M 6 INX | 2,00 | | | -- |
| 0013 | VTDD01694 | | NUT M6 INOX | 4,00 | | | -- |
| 0014 | VTDD00210 | | NUT M 3 AUTOBL.DIN 985 IX.A2 | 8,00 | | | -- |
| 0015 | LAFN07589 | | SPACER - | 2,00 | | | -- |
| 0016 | LAFN04100 | | SPACER FOR BUMPER WHEEL | 2,00 | | | -- |
| 0017 | ETET01817 | | LABEL - | 2,00 | | | -- |
| 0018 | GUGO00164 | | GASKET | 2,00 | | | -- |
| 0019 | MPVR06287 | | BLADE XS 3MM LATEX | 1,00 | | | -- |
| 0020 | MPVR06288 | | BLADE XS 3MM LATEX | 1,00 | | | -- |
| 0021 | MPVR06004 | | KNOB SQUEEGEE YELLOW M8X30 | 2,00 | | | -- |
| 0022 | LAFN09301 | | SOCKET - | 2,00 | | | -- |
| 0023 | VTRS00274 | | WASHER NYLON 66 D.8,4-17-2 UNI | 8,00 | | | -- |
| 0024 | VTRS00245 | | WASHER D.6 UNI 6592 INOX | 2,00 | | | -- |
| 0025 | VTRS13945 | | WASHER D. 6X18 INX UNI 6593 | 2,00 | | | -- |
| 0026 | VTRS16937 | | WASHER 6x24 INOX UNI 6593 | 2,00 | | | -- |
| 0027 | RTRT00398 | | WHEEL d.60 HOLE 8 | 2,00 | | | -- |
| 0028 | MPVR06105 | | WHEEL BUMPER D.80 H=22 | 2,00 | | | -- |
| 0029 | VTVT00655 | | SCREW TE M. 6-55 | 2,00 | | | -- |
| 0030 | VTVT17342 | | SCREW TE M 6X 60 UNI 5739 INX | 2,00 | | | -- |
| 0031 | VTVT01070 | | SCREW TSTC M3X8 | 8,00 | | | -- |
| 0032 | VTVT01206 | | SCREW M6X55 | 2,00 | | | -- |



| Ref. K | Part n. | Part n. 2 | Description | Quantity | Validity | | Price |
|--------|-----------|-----------|---------------------------------|----------|------------|------------|-------|
| | | | | | From | To | |
| 0001 | MPVR10598 | | TANK CT46 | 1,00 | | | -- |
| 0002 | MPVR10599 | | TANK CT46 | 1,00 | | | -- |
| 0003 | KTRI05240 | | KIT COVER RECOVERY TANK CT46 | 1,00 | | | -- |
| 0004 | MPVR10715 | | COVER CT46 | 1,00 | | | -- |
| 0005 | GUVR01018 | | GASKET | 1,00 | | | -- |
| 0006 | MPVR10716 | | BASE CT46 | 1,00 | | | -- |
| 0007 | GUVR01017 | | GASKET | 1,00 | | | -- |
| 0008 | VTRS00573 | | WASHER 30x6x3 | 1,00 | | | -- |
| 0009 | VTVT48694 | | SCREW TCB TC 5 X12 UNI 9707 TZ | 1,00 | | | -- |
| 0010 | MPVR05836 | | FLOATER RECOVERY TANK LID | 1,00 | | | -- |
| 0011 | VTVT01694 | | SCREW SELF TAPPING 4.8X9.5 SUS | 9,00 | | | -- |
| 0012 | MPVR10718 | | HINGE CT46 | 2,00 | | | -- |
| 0013 | VTRS13750 | | WASHER D. 5X14 INX | 3,00 | | | -- |
| 0014 | VTVT00805 | | SCREW TBEI M. 5-10 | 2,00 | | | -- |
| 0015 | MPVR10769 | | COVER CT46 | 1,00 | | | -- |
| 0016 | MPVR05188 | | CAP SOLUTION TANK | 1,00 | | | -- |
| 0017 | MPVR08038 | | PLATE CT15-30 | 1,00 | | | -- |
| 0018 | ABGO00052 | | VIBRATION DAMP. - | 4,00 | | | -- |
| 0019 | VTRS15908 | | WASHER D. 5 INX GRW UNI 1751 | 4,00 | | | -- |
| 0020 | LAFN05830 | | FILTER VAC.MOTOR SUS | 1,00 | | | -- |
| 0021 | GUGO00498 | | GASKET | 1,00 | | | -- |
| 0022 | VTVT48694 | | SCREW TCB TC 5 X12 UNI 9707 TZ | 4,00 | | | -- |
| 0023 | MPVR10774 | | CAP 1/2" | 1,00 | | | -- |
| 0024 | RCGR00082 | | VALVE - | 1,00 | | | -- |
| 0025 | FSVR00095 | | CLAMP 30-45 | 1,00 | | | -- |
| 0026 | MPVR46988 | | CLIP FIXATION DRAIN HOSE | 1,00 | | | -- |
| 0027 | VTRS05904 | | WASHER UNI 6592 4X16 ZB | 2,00 | | | -- |
| 0028 | VTVT29884 | | SCREW TE UNI 5739 4X16 ZB | 2,00 | | | -- |
| 0029 | VTDD04369 | | NUT M 4 TEF UNI 7473 | 4,00 | | | -- |
| 0030 | VTRS16937 | | WASHER 6x24 INOX UNI 6593 | 1,00 | | | -- |
| 0031 | VTVT01376 | | SCREW TE M 5X 35 UNI 5739 | 1,00 | | | -- |
| 0032 | KTRI02192 | | SOLENOID VALVE CT45 | 1,00 | | | -- |
| 0033 | FTAC00044 | | FILTER CT15-CT30 | 1,00 | | 15/05/2018 | -- |
| 0033 | FTAC00075 | | FILTER COMPLETE CT15-30-45 P2,3 | 1,00 | 16/05/2018 | | -- |
| 0034 | VTVT15965 | | SCREW TCB-TC 4X12 UNI7687 INX | 1,00 | | | -- |
| 0035 | VTRS00515 | | WASHER D. 4 INX | 1,00 | | | -- |
| 0036 | VTDD00055 | | NUT M 4 ATB A2 | 3,00 | | | -- |
| 0037 | VTDD04369 | | NUT M 4 TEF UNI 7473 | 2,00 | | | -- |
| 0038 | LAFN07948 | | PROTECTION SOLENOID VALVE | 1,00 | | | -- |
| 0039 | VTVT15924 | | SCREW M4X16 UNI7687 | 2,00 | | | -- |
| 0040 | TBFX00357 | | TUBE CT45 | 1,00 | | | -- |
| 0041 | MPVR04659 | | FLANGE | 1,00 | | | -- |
| 0042 | TBFX00350 | | TUBE HOSE DRAIN CT30 | 1,00 | | | -- |
| 0043 | RCVR00772 | | CONNECTOR 1/4 | 2,00 | | | -- |



| Ref. K | Part n. | Part n. 2 | Description | Quantity | Validity | | Price |
|--------|-----------|-----------|------------------------------|----------|----------|----|-------|
| | | | | | From | To | |
| 0044 | RCVR00773 | | CONNECTOR 1/4 | 1,00 | | | -- |
| 0045 | TBBP00481 | | TUBE - | 0,30 | | | -- |
| 0046 | TBBP00481 | | TUBE - | 0,25 | | | -- |
| 0047 | RCVR00807 | | CONNECTOR 10 1/4 | 1,00 | | | -- |
| 0048 | TBBP00511 | | TUBE - | 0,34 | | | -- |
| 0049 | RCVR00784 | | CONNECTOR - | 1,00 | | | -- |
| 0050 | GUGO31088 | | O-RING D. 12 X 2.50 NBR 70SH | 1,00 | | | -- |
| 0051 | FTDP00683 | | FILTER - | 1,00 | | | -- |
| 0052 | MECB01952 | | WIRING CT46 230Vac | 1,00 | | | -- |
| 0053 | LAFN08967 | | SPACER CT15-30 | 4,00 | | | -- |
| 0054 | LAFN11090 | | BRACKET - | 1,00 | | | -- |
| 0055 | MOMO00243 | | MOTOR VACUUM 230V 2ST. | 1,00 | | | -- |
| 0056 | VTDD07727 | | NUT M 5 INOX | 4,00 | | | -- |



| Ref. K | Part n. | Part n. 2 | Description | Quantity | Validity | | Price |
|--------|-----------|-----------|-----------------------------------|----------|------------|------------|-------|
| | | | | | From | To | |
| 0001 | LAFN07905 | | SUPPORT BRUSH MOTOR CT30-45 | 1,00 | | | -- |
| 0002 | VTRS15144 | | WASHER D. 6 INX GRW UNI 1751 | 4,00 | | | -- |
| 0003 | VTVT15906 | | SCREW TE 6X 12 A2 UNI 5739 | 4,00 | | | -- |
| 0004 | VTVR16617 | | KEY 6X 6X30 UNI 6604 | 1,00 | | | -- |
| 0005 | VTRS13947 | | WASHER D. 8 INX UNI 6592 | 1,00 | | | -- |
| 0006 | VTRS13946 | | WASHER D. 8 X24 INX UNI 6593 | 1,00 | | | -- |
| 0007 | VTRS15146 | | WASHER GROVER A2 UNI1751 | 1,00 | | | -- |
| 0008 | VTVT13938 | | SCREW TE 8X20 UNI5739 INX | 1,00 | | | -- |
| 0009 | MPVR06243 | | COVER CT45 | 1,00 | | | -- |
| 0010 | VTRS13750 | | WASHER D. 5X14 INX | 3,00 | | | -- |
| 0011 | VTRS15908 | | WASHER D. 5 INX GRW UNI 1751 | 3,00 | | | -- |
| 0012 | VTVT01300 | | SCREW TE M5X12 INOX | 3,00 | | | -- |
| 0013 | MFVR00212 | | DRIVE DISK ALUMINIUM | 1,00 | | | -- |
| 0014 | MPVR06045 | | CONVEYOR - | 1,00 | | 15/09/2017 | -- |
| 0015 | VTDD01695 | | NUT M 8 INX | 4,00 | | | -- |
| 0016 | MOMO00259 | | MOTOR CT30-CT45 230VAC 50-60HZ | 1,00 | | | -- |
| 0017 | METT00092 | | DISJUNCTOR CT30-CT45C | 1,00 | | | -- |
| 0018 | MLML00065 | | SPRING L0=80 De=12 Df=1.7 | 1,00 | | | -- |
| 0019 | SPPV01332 | | BRUSH D.500 NYLON | 1,00 | | | -- |
| 0020 | LAFN94012 | | ARM - | 2,00 | | | -- |
| 0021 | MLML00095 | | DISC SPRINGS 12,2x25x0,9 DIN 2093 | 4,00 | | | -- |
| 0022 | LAFN94013 | | BUSHING - | 3,00 | | | -- |
| 0023 | VTVT00410 | | SCREW TE M8x35 UNI5739 INOX | 2,00 | | | -- |
| 0024 | VTVT15907 | | SCREW TE 8X25 UNI5739 INX | 1,00 | | | -- |
| 0025 | VTVT13937 | | SCREW TE M 8X 30 INX UNI 5739 | 1,00 | | | -- |
| 0026 | LAFN51068 | | BUSHING LEVA POSTER. | 1,00 | | | -- |
| 0027 | MLML00477 | | SPRING - | 1,00 | 03/03/2017 | | -- |
| 0028 | VTVT21887 | | SCREW TCB-TC 4X10 8112 | 1,00 | 03/03/2017 | | -- |
| 0029 | VTRS15913 | | WASHER D. 4 GROVER A2 UNI1751 | 1,00 | 03/03/2017 | | -- |