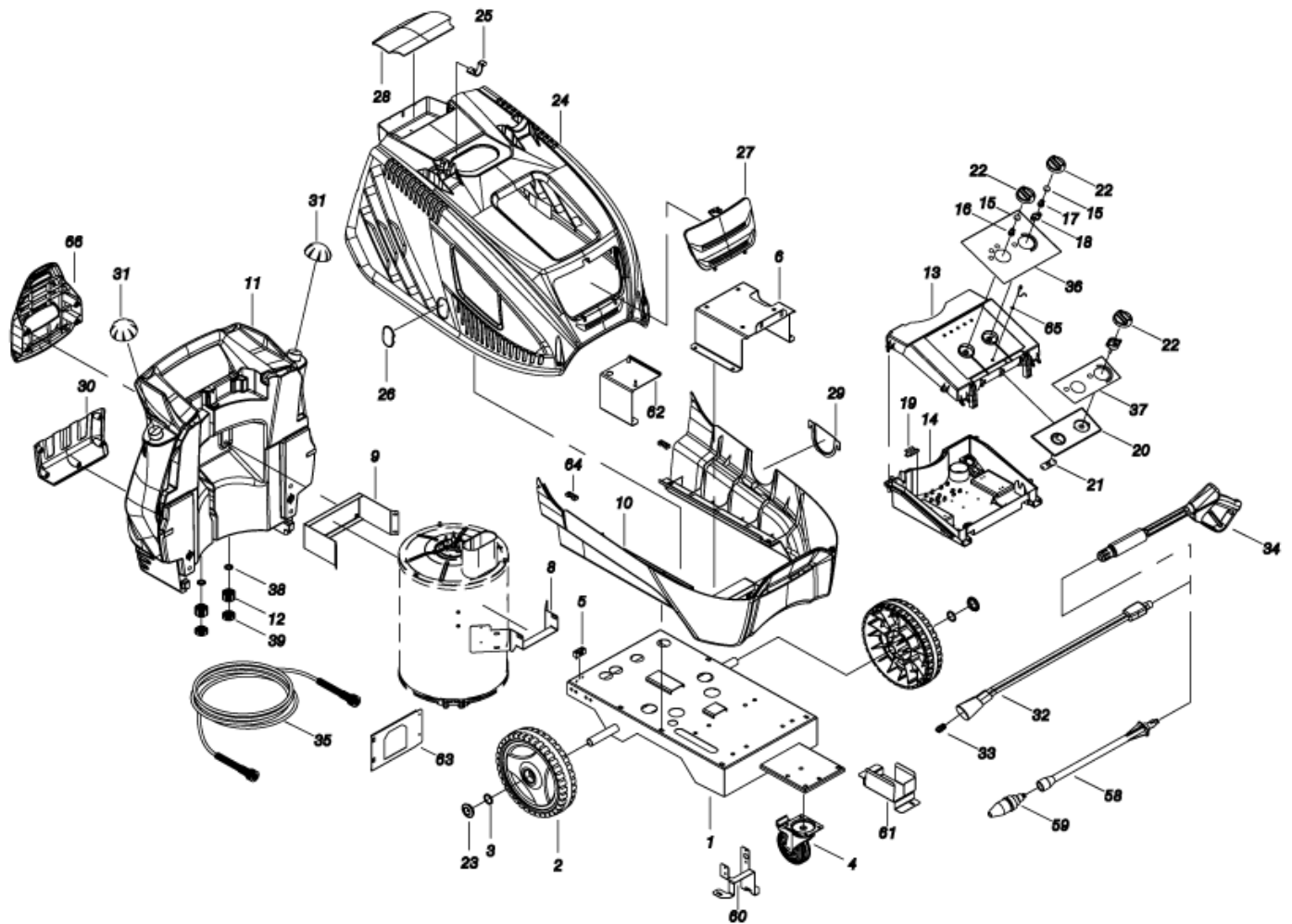


# Spare Parts List

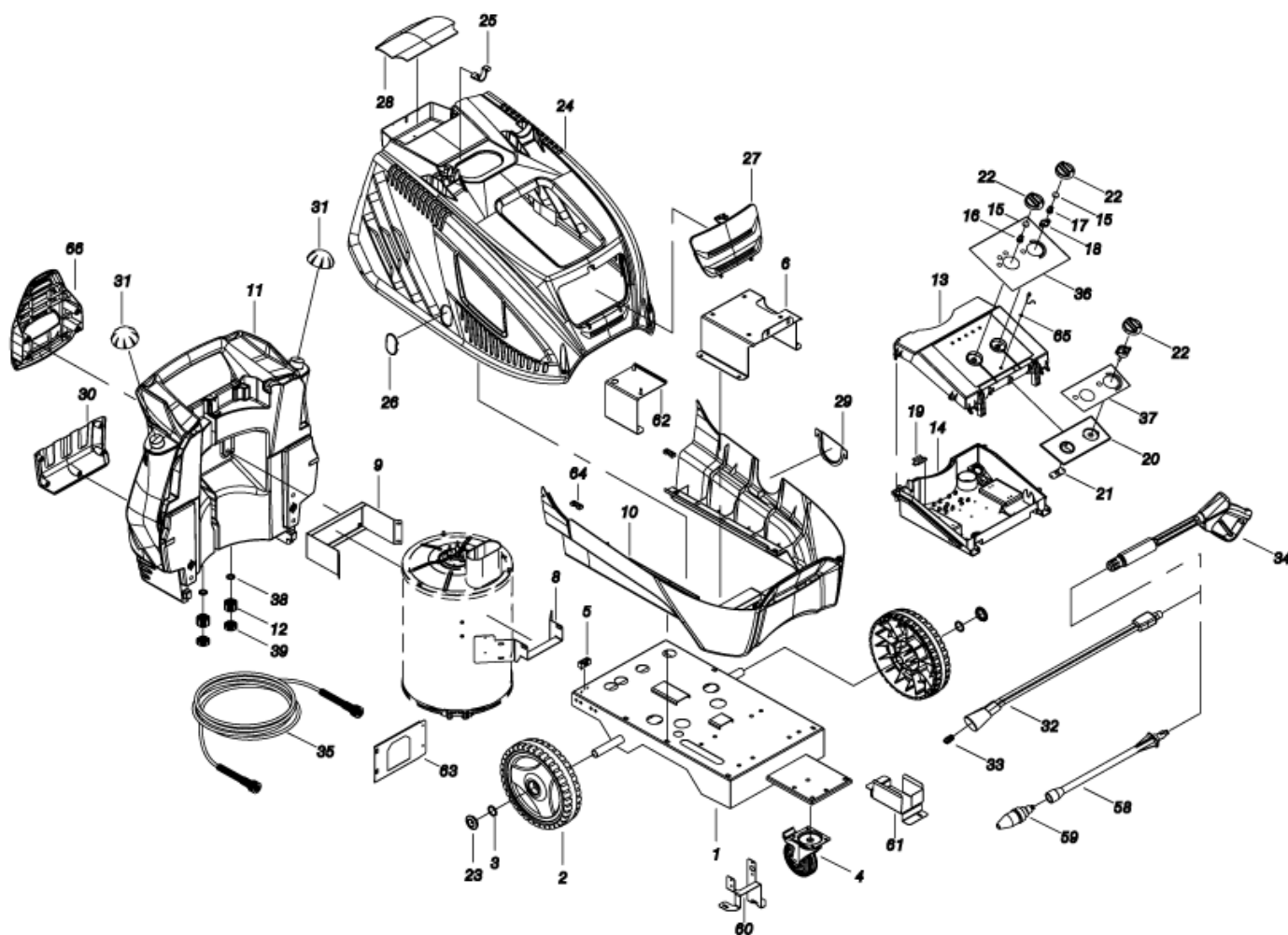
FISPO CLEAN SLOVAKIA S.R.O.

Ref: IDAC40872

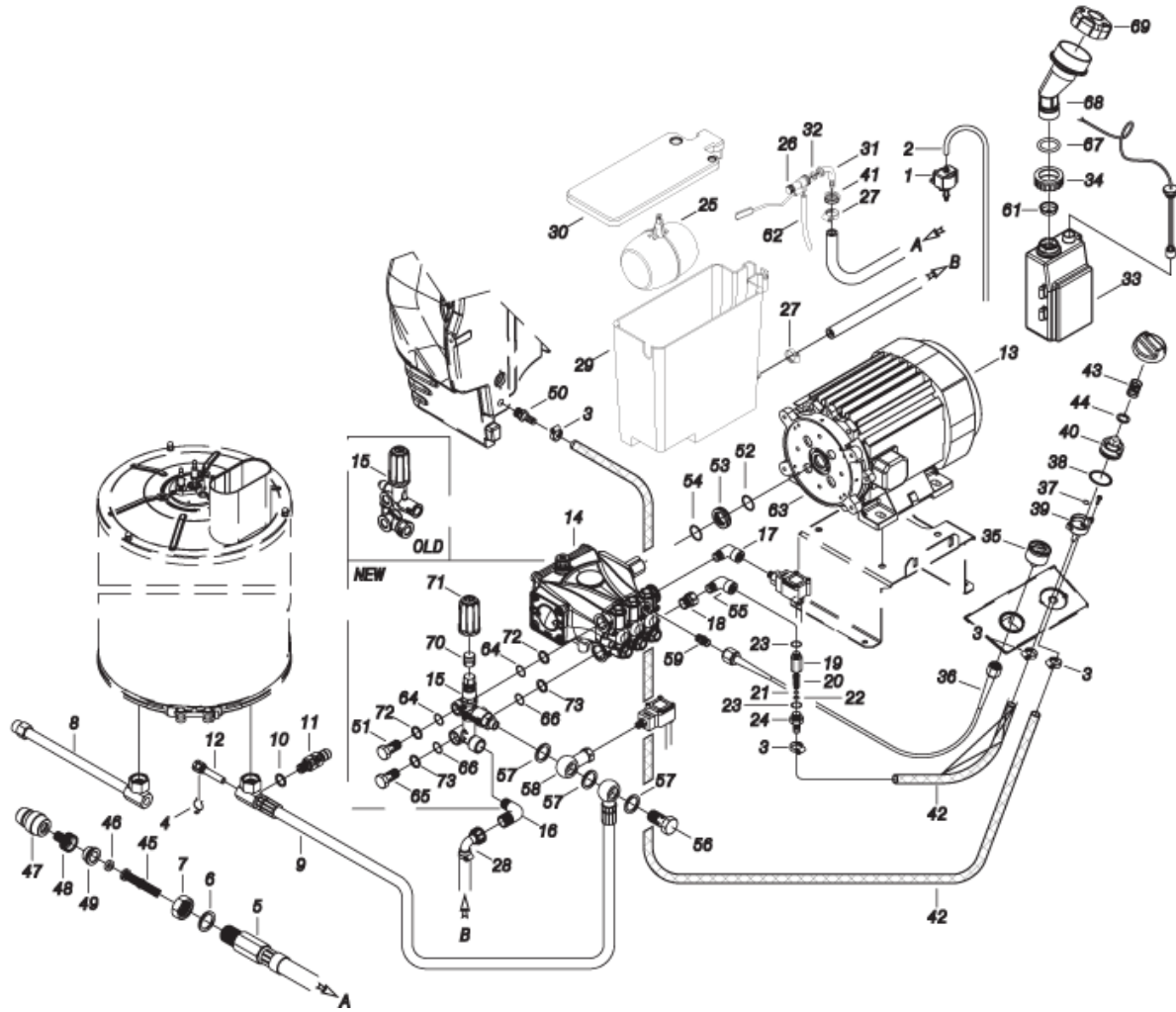
Model: IDROP PW-H50 D2017P4 T 400/50 3-09IPC



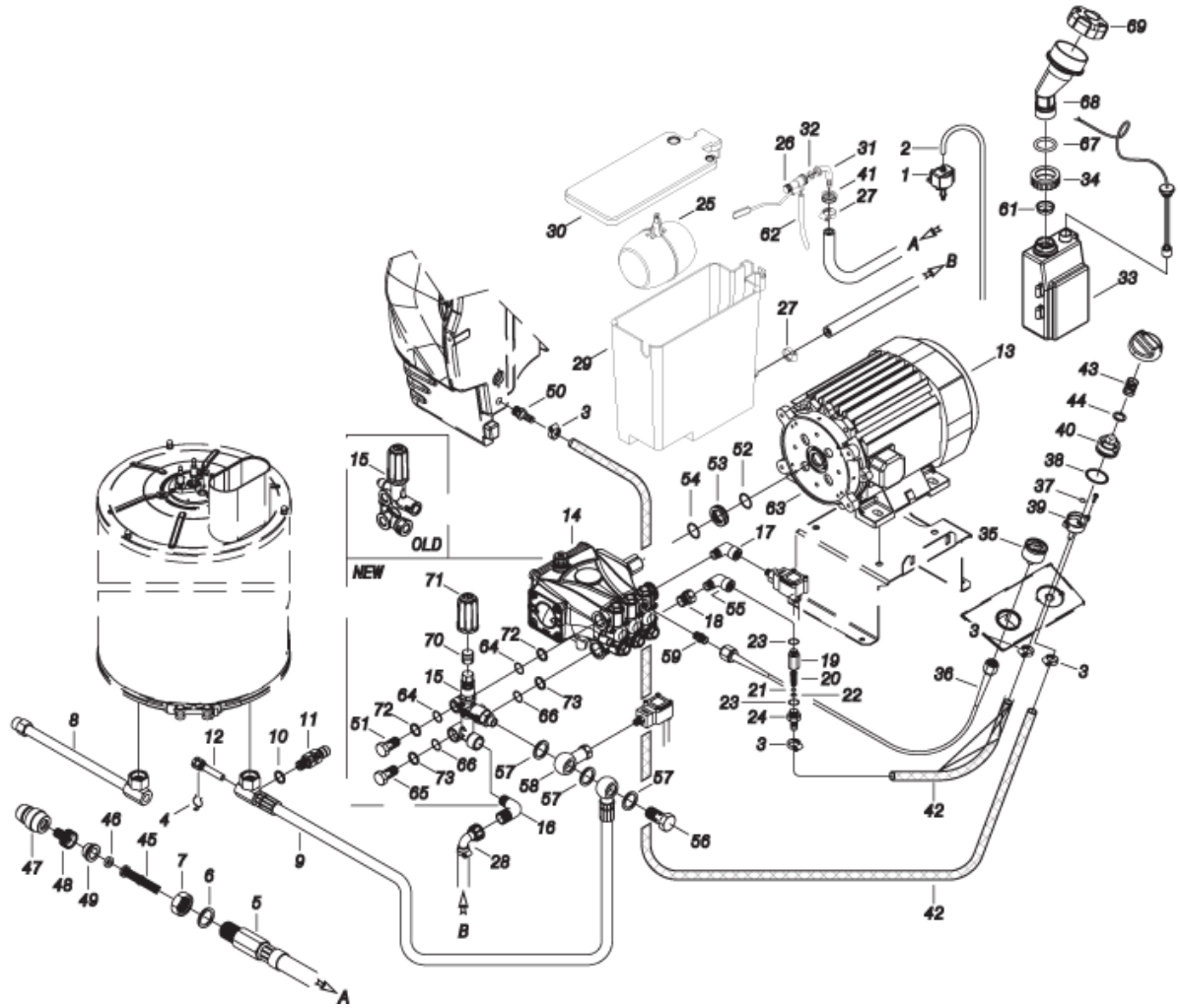
Ref.	K	Part N.	Customer Part N.	Description	Qty	Validity:		Price
						From	To	
0001		LAFN40699		TROLLEY PW-H35/7.5-3W BK.	1,00			--
0002		RTRT40045		WHEEL D.300-D.25 FLY-IPC BK/GRN	2,00			--
0003		VTRS09813		WASHER D.25	2,00			--
0004		RTRT13708		TURNING WHEEL D.125 P. MZ.PLS	1,00			--
0005		MEVR20906		CABLE FASTNER KSM	1,00			--
0006		LAFN40683		MOTOR SUPPORT PW-H35 7.5Hp ZC.	1,00			--
0008		LAFN40685		SUPPORT PW-H35/7.5 PS.ZC.	1,00			--
0009		LAFN40835		BRACKET PW-H35 PM.2 ZC	1,00	11/2015		--
0010		MPVR40591		BLACK COVER PW-H35 INF.P/2P-PM PP	1,00	08/2015		--
0010		MPVR40704		BLACK COVER PW-H35/7.5 INF.PP	1,00			--
0011		MPVR40519		TANK PW-H35 PEHD BK.	1,00			--
0012		PVVR11806		DISCHARGE CAP FLL	2,00			--
0013		MPVR40540		BOX COVER PW-H35 ABS BK.	1,00			--
0014		MPVR40784		CONTROL BOX PW-H35 C/F.TH ABS BK.	1,00	10/2015	01/2016	--
0014		MPVR40818		CONTROL BOX PW-H50/7.5 C/F.TH.ABS BK.	1,00	02/2016		--
0015		GUGO25527		O-RING D. 14 X 3 NBR 70SH	2,00			--
0016		MPVR23482		TAIL PIECE TEC. TUV	1,00			--
0017		MPVR23484		TAIL PIECE THERM.KSM TUV	1,00			--
0018		MPVR41903		THICKNESS TERM.IM.PA66	1,00			--
0019		LAFN46067		SUPPORT L.60 P176	2,00			--
0020		MPVR40542		ANT. PANEL PW-H35 ABS BK.	1,00			--
0021		LAFN40561		JUNCTION BOARD PW-H35 ZC.	1,00			--
0022		MPVR49057		BLACK KNOB P176-M.RACE PA6	3,00			--
0023		MPVR40734		HUB CAP D.50 G-48/IPC GR.368C	2,00			--
0024		MPVR40702		GREEN COVER PW-H35/7.5 SUP.PP GR.368C	1,00			--
0024		VTVR40048		HANDWHEEL M 5MAX10 B.193/18 P	1,00			--
0024		FSVR62795		PLATE DI FISSAGGIO RPD0074	2,00			--
0025		MPVR40485		RUBBER PW-H35 15-20BK.	1,00			--
0025		MPVR40534		PIN PW-H35 PP BK.	2,00			--
0026		MPVR40539		DOOR PW-H35 PPL NT.	1,00			--
0027		MPVR40660		DOOR PW-H35 PPL BK.	1,00			--
0028		MPVR40661		DOOR PW-H35 PPL BK. PST	1,00			--
0029		MPVR40532		DOOR PW-H35 PPL BK.INF.	1,00			--
0030		MPVR40533		TOOL HOLDER PW-H35 PP BK.	1,00			--
0031		MPVR40187		TANK CAP P215 PEHD C/F.	2,00			--
0032		LCPR40087		EXTENSION P 70 -P20.IX700 M22 M	1,00			--
0033		UGLN49987		NOZZLE LECH 1/4 15045	1,00			--
0034		IPPR40020		GRIP G 6000+P.330 +M22 SW.M V	1,00			--
0035		TBAP25324		H.P. HOSE R1 MT 10 5/16" C/2 IRV ZC	1,00			--



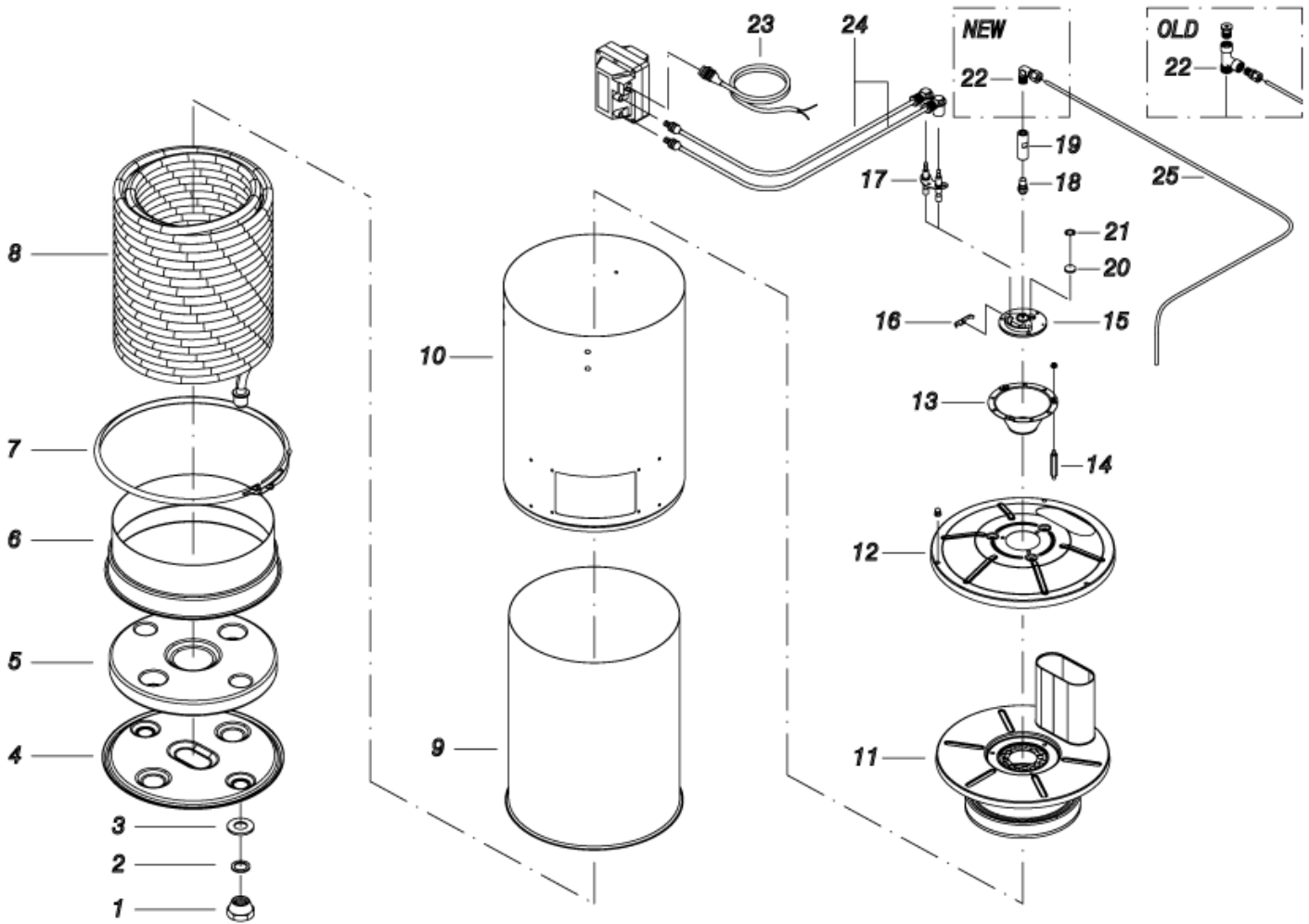
Ref.	K	Part N.	Customer Part N.	Description	Qty	Validity:		Price
						From	To	
0036		ETET40727		LABEL PW-H35/7.5 ELETT.	1,00			--
0037		ETET40556		LABEL PW-H35 IDR.	1,00			--
0038		GUGO11489		GASKET D.22X1,5	2,00			--
0039		MPVR20187		RING NUT M 39 X 3	2,00			--
0060		LAFN40687		BRACKET PW-H35/7.5 ZC.	1,00			--
0061		LAFN40686		SUPPORT BRACKETPW-H35/7.5 ZC.	1,00			--
0062		LAFN40695		B.TANK BRACKET PW-H35/7.5 BK.	1,00			--
0063		LAFN40684		SUPPORT PW-H35/7.5 AN.ZC.	1,00			--
0064		MPVR28554		CABLE FASTNER ELT	1,00			--
0064		VTVT13234		SCREW TCB-TC 3.5X19 NIK	2,00			--
0066		MPVR40701		HOSE SUPPORT PW-H35 PP BK.	1,00			--



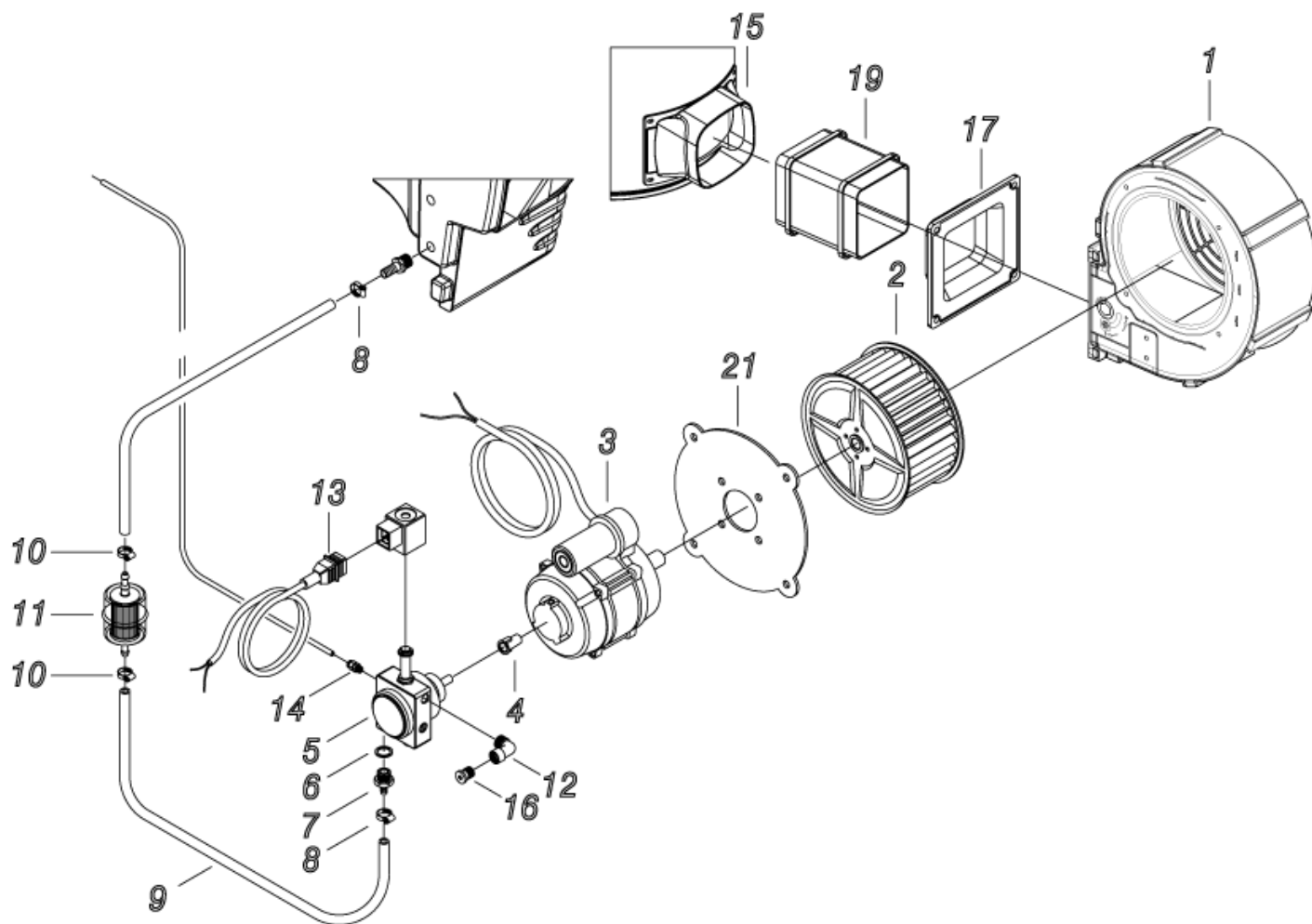
Ref.	K	Part N.	Customer Part N.	Description	Qty	Validity:		Price
						From	To	
0001		MEPD45940		DESCALING PUMP NME 1 24V 50/60HZ	1,00			--
0002		TBBP00058		L.P. HOSE D. 4- 7	0,90			--
0003		FSVR00427		CLAMP D. 12 CLIC 66-110	4,00			--
0004		MLML02623		SPRING IMT	1,00			--
0005		TBBP40082		L.P. HOSE L=1850 1/2M 0° -D.16X26	1,00			--
0006		RCDS49875		RING NUT 1/2"X 6 CH.27 OT.	1,00			--
0007		VTRS00549		WASHER D.21,5X27X1.5 (1/2) RM	1,00			--
0008		RCDS21118		CONNECTOR KSM	1,00			--
0008		RCDS21119		NUT KSM	1,00			--
0008		RCDS40045		CONNECTOR G 3/8F -1/4 +M14X1 C.27	1,00			--
0008		RCDS40164		CONNECTOR L=285 2X3/8M CN. ZC.	1,00			--
0008		RCIN03753		MALE COUPLING M22-3/8 M-FA	1,00			--
0009		TBAP40161		HOSE-FITTING 3/ 8 R2 L=755 3/8OC.-PM26	1,00			--
0010		VTRS40960		WASHER D.13.5X19 X4 AL.	1,00			--
0011		VVSC47427		VALVE MG 1000 G1/4M-M D.8 250B	1,00			--
0012		RCDS00593		SUMP IM 0-120 L=50	1,00			--
0013		MOTR40053		3PH MOTOR H35 HP7.5 23-400/50k RR/K	1,00			--
0014		PPAP40058		PUMP RR 15.20 DX N	1,00			--
0015		MPVR40589		BLACK KNOB ST 260 IPC	1,00			--
0015		VVAZ40062		VALVE VRF-2 AR-R AF S/I. RG	1,00			--
0016		RCVR40153		ELBOW 3/4"-1/2" M OT.	1,00	05/2015		--
0017		RCVR72833		ELBOW 3/8"-1/4" M/F A.P.Cn OTT.	1,00			--
0018		RCVR02606		REDUCTION 1/2-1/4 M/F	1,00			--
0019		RCDS46072		VALVE BODY N/R 1/4F-1/4 P176 OT	1,00			--
0020		MLML21505		SPRING D. 8 X5 X0.3	1,00			--
0021		SFVR04274		BALL D. 7/32	1,00			--
0022		GUGO01055		O-RING D. 5.28 X 1.78 VIT 70SH	1,00			--
0023		GUGO01036		O-RING D. 10.82 X 1.78 NBR 70SH	1,00			--
0024		RCDS10546		VALVE SEAT 1/4M + PG. D.3-7.5 OTT	1,00			--
0025		RCGR01387		PLASTIC BALL D.104	1,00			--
0026		RCGR10358		TAP UG. D. 7	1,00			--
0027		FSVR00431		CLAMP D. 16-25	1,00			--
0028		TBBP40081		L.P. HOSE L=1130 3/4F 0°-LIB.	1,00			--
0029		MPVR22117		WATER TANK FUT PPL BK.	1,00			--
0030		MPVR40699		TANK COVER FUT PPL C/FR.BK.	1,00			--
0031		RCDS10357		HOSE FITTING FUT 90°	1,00			--
0033		MPVR40698		TANK KSM C/PE.	1,00			--
0034		MPVR40739		TANK CAP KSM D.36.2	1,00			--
0035		MNMN18650		PRESSURE GAUGE 0-300 D.40	1,00			--



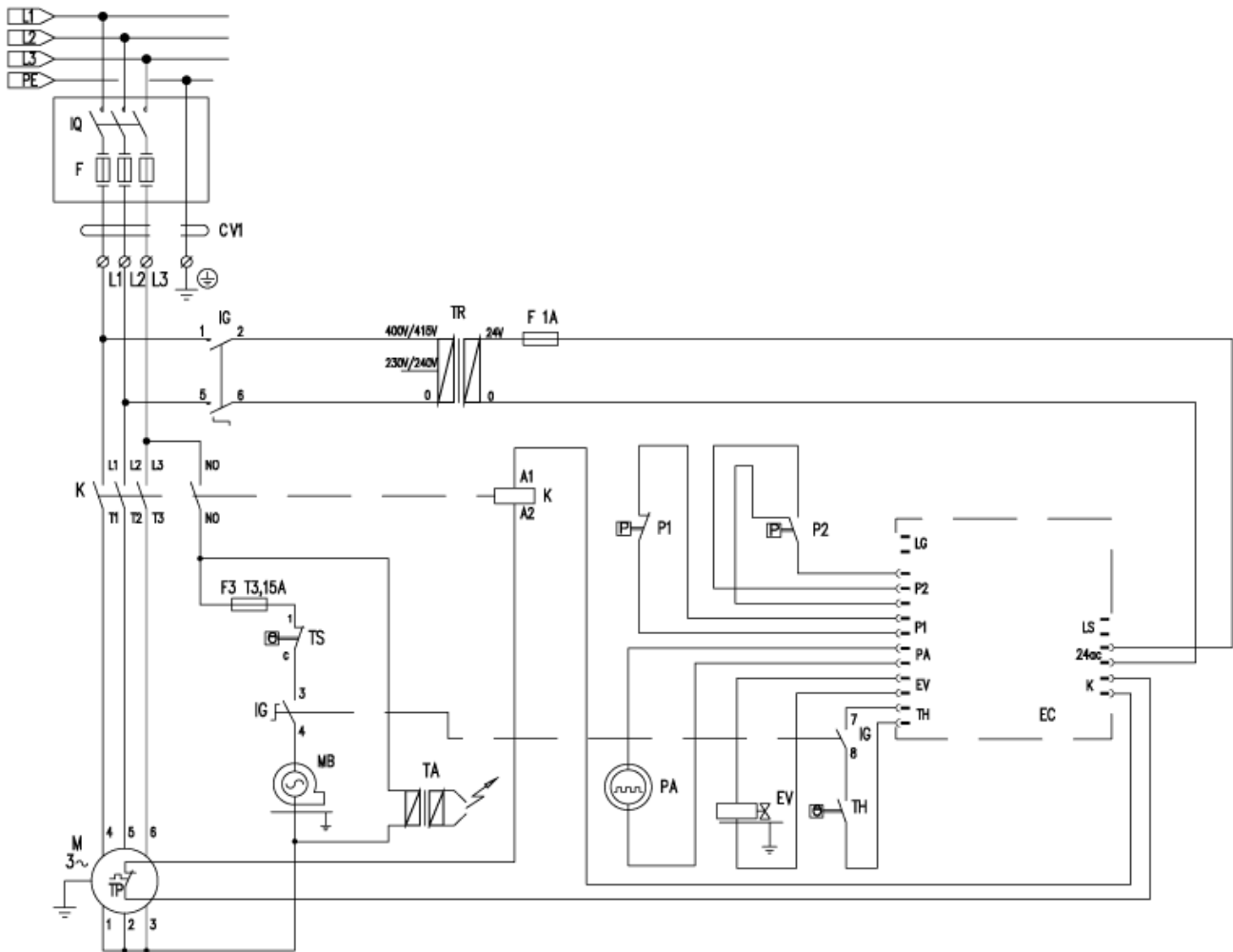
Ref.	K	Part N.	Customer Part N.	Description	Qty	Validity:		Price
						From	To	
0036		TBAP40113		POLYAMIDE HOSE L=420 1/4F GR.-1/8F MN.	1,00			--
0037		GUGO08071		O-RING D. 4.48 X 1.78 NBR 70SH	1,00			--
0038		GUGO12183		O-RING D. 23.4 X 3.53 VIT 70SH	1,00			--
0039		RCGR08069		TAP BODY DET. PRT	1,00			--
0040		RCGR08070		ADJUSTER PRT	1,00			--
0041		RCDS10356		RING NUT FUT	1,00			--
0042		TBBP00051		DETERGENT HOSE D. 6-12	1,20			--
0042		TBBP00051		DETERGENT HOSE D. 6-12	0,77			--
0043		MLML08068		SPRING D.1,5 L.23	1,00			--
0044		VTRS00548		WASHER D.17,5X23X1,5 (3/8)RM	1,00			--
0045		FTAC30214		FILTER D.15X67	1,00			--
0046		GUGO37736		GASKET D. 10- 19 X 5 70SH	1,00			--
0047		RCVR29600		SOCKET PTC 3/4 F	1,00			--
0048		RCVR29602		CONNECTOR D. 1/2"-5/8" PTC	1,00			--
0049		RCVR37806		REDUCTION PTC 3/4-1/2 M/F	1,00			--
0050		RCVR40113		HOSE FITTING 1/8 M.D. 5- 7 NIK	2,00			--
0051		RCDS40172		SCREW 3/8 VRF-2 OT 4F.	1,00			--
0052		GUGO21339		O-RING D. 29.82 X 2.62 VIT 70SH	1,00			--
0053		RCDS25578		BUSHING IP WW141 OT.	1,00			--
0054		GUGO21337		O-RING D. 25.07 X 2.62 VIT 70SH	1,00			--
0055		RCVR00573		ELBOW 1/4" M/F A10	1,00			--
0056		RCDS14384		SCREW G 3/8 VSP 180	1,00			--
0057		VTRS00548		WASHER D.17,5X23X1,5 (3/8)RM	3,00			--
0058		RCDS40692		CONNECTOR O. 3/8 - G1/4F L=28.5	1,00			--
0059		RCDS00607		NIPPLE 1/4 - 1/4 SV	1,00			--
0061		MPVR18582		CAP D.22	1,00			--
0062		TBBP17436		L.P. HOSE D.12-14 RILSAN NT.	0,17			--
0063		MFVR21309		COUNTERFLANGE MEC 90-100-112	1,00			--
0064		GUGO03510		O-RING D. 12.37 X 2.62 NBR 70SH	2,00			--
0065		RCDS40171		SCREW G 1/2 VRF-2 OT. 2F.	1,00			--
0066		GUGO01048		O-RING D. 15.88 X 2.62 NBR 70SH	2,00			--
0067		GUGO89386		O-RING D. 30 X 5 NBR 70SH	1,00			--
0068		MPVR40700		MANIFOLD A.CLCL PW-H35 PP NT.	1,00			--
0069		MPVR40187		TANK CAP P215 PEHD C/F.	1,00			--



Ref.	K	Part N.	Customer Part N.	Description	Qty	Validity:		Price
						From	To	
0001		RCDS21120		RING NUT M 26 X 1,5	2,00			--
0002		GUGO21222		O-RING D. 15.54 X 2.62 VIT 80SH	2,00			--
0003		GUVR21021		ANTI-EXTR.RING D. 21 X17 TEF.	2,00			--
0004		LAFN44149		BOILER BOTTOM P176	1,00			--
0005		ITTE44175		BOTTOM P176 C.TE	1,00			--
0006		LAFN44151		BAND P176 INX	1,00			--
0007		LAFN40037		RING D.342 P176 ZN 2V.CPL.	1,00			--
0008		LAGR48101		DOUBLE COIL M26X1.5 P176 30MT. SP.2.6	1,00			--
0009		LASL40101		INT. CYLINDER PM INX	1,00			--
0010		LAFN40688		EXT. CYLINDER PM-H35/7.5 INX	1,00			--
0011		LAFN40269		BOILER COVER SIPM INX	1,00			--
0012		LAFN40270		BOILER COVER SEPM INX	1,00			--
0013		LAFN44244		BAFFLE P176 30M INX	1,00			--
0014		LAFN40271		PIN CH.10 X 67.7 M5M/M5M PM	3,00			--
0015		MFVR18226		ELECTR.HOLDER FUT 3°V	1,00			--
0016		LAFN07641		PLATE INX	1,00			--
0017		MECA12525		ELECTRODE FUT	1,00			--
0018		UGBR22576		BURNER NOZZLE 1.35 60 S	1,00			--
0019		RCDS07642		NOZZLE HOLDER FUT	1,00			--
0020		MPVR18228		OIL WARN-LIGHT D.17 X3	1,00			--
0021		VTAE22633		SEEGER 0.4 X18.30X10,5	1,00			--
0022		RCVR08954		ELBOW 1/8"-4 B5	1,00	03/2015		--
0022		RCVR40126		BI-CONE CONNec.T 1/8"M/F D. 4/ 6C NK.	1,00	11/2013	02/2015	--
0022		RCVR89230		CAP G 1/8 M C/O-RING.	1,00	07/2013	02/2015	--
0023		MECB46130		CABLE DLT L=1100	1,00			--
0024		MECV35335		CABLE A.T. 9,8-23KOHM/M L= 500P	2,00			--
0025		TBCO40057		DIESEL HOSE PW-H35/7.5 30MT D. 4 IX	1,00			--

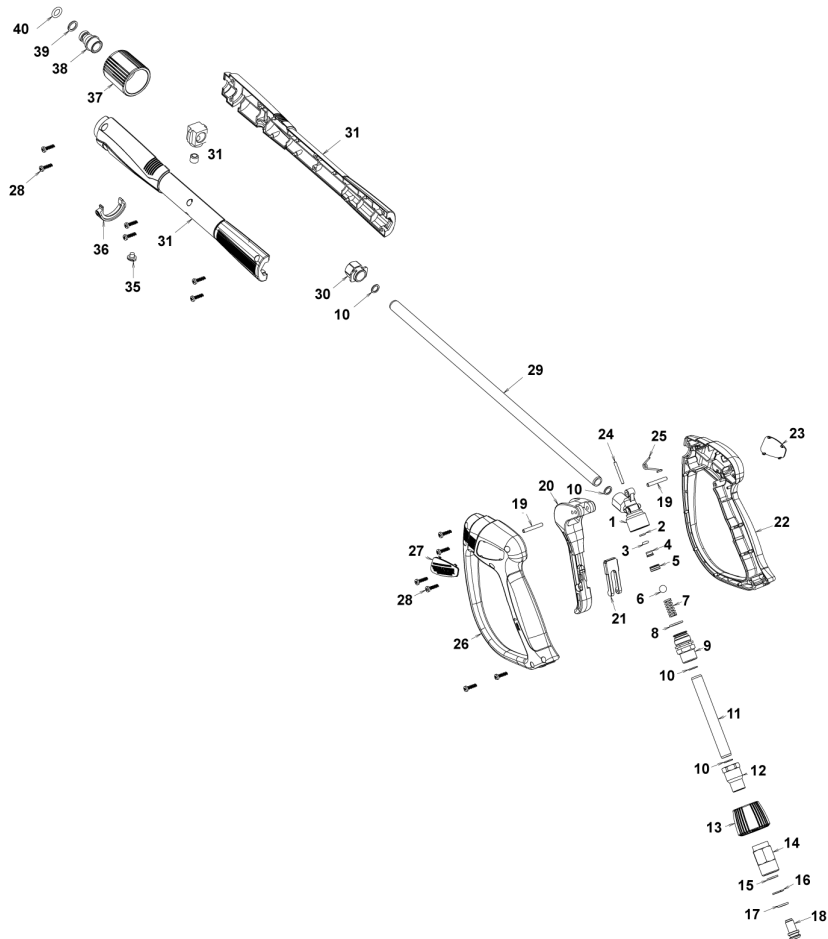


Ref.	K	Part N.	Customer Part N.	Description	Qty	Validity:		Price
						From	To	
0001		MPVR40665		SCROLL CB4 -2PZ.GR.	1,00	11/2015		--
0002		VEVR34275		IMPELLER D.160-80 D.12.7 36P B.SX	1,00			--
0003		MOMB34119		BURNER MOTOR 230-50 IP44 150W A.OR	1,00			--
0004		FGGT36513		JOINT HP 0.25 AACO	1,00			--
0005		PPGS40010		FUEL PUMP DNF BFA 01L3R1	1,00			--
0006		VTRS04931		WASHER COPPER D.13X19X1.5	1,00			--
0007		RCDS00626		HOSE FITTING 1/4 M D. 5- 7	1,00			--
0008		FSVR00427		CLAMP D. 12 CLIC 66-110	2,00			--
0009		TBCO06945		L.P. HOSE D. 6-12 10BAR C.PRESS	0,70			--
0009		TBCO06945		L.P. HOSE D. 6-12 10BAR C.PRESS	0,43			--
0010		FSVR11197		CLAMP D.I. 11 13315	2,00			--
0011		FTCO10912		FILTER FB 13/T NYL.	1,00			--
0013		MECB34463		CABLE BT L=800 SP.	1,00			--
0014		RCVR14014		BI-CONE CONNEC.DTT 1/8"M B1 D. 2/ 4 NIK	1,00			--
0015		MPVR88426		CONVEYOR P190 PA6 BK.	1,00			--
0017		MPVR40014		CONVEYOR CB4-FBX PA6	1,00			--
0019		GUVR40009		SLEEVE SLV H=130	1,00			--
0019		FSVR01873		CLAMP LG 31920 9 X500	2,00			--
0021		LAFN10272		MOTOR PLATE CB 3	1,00			--

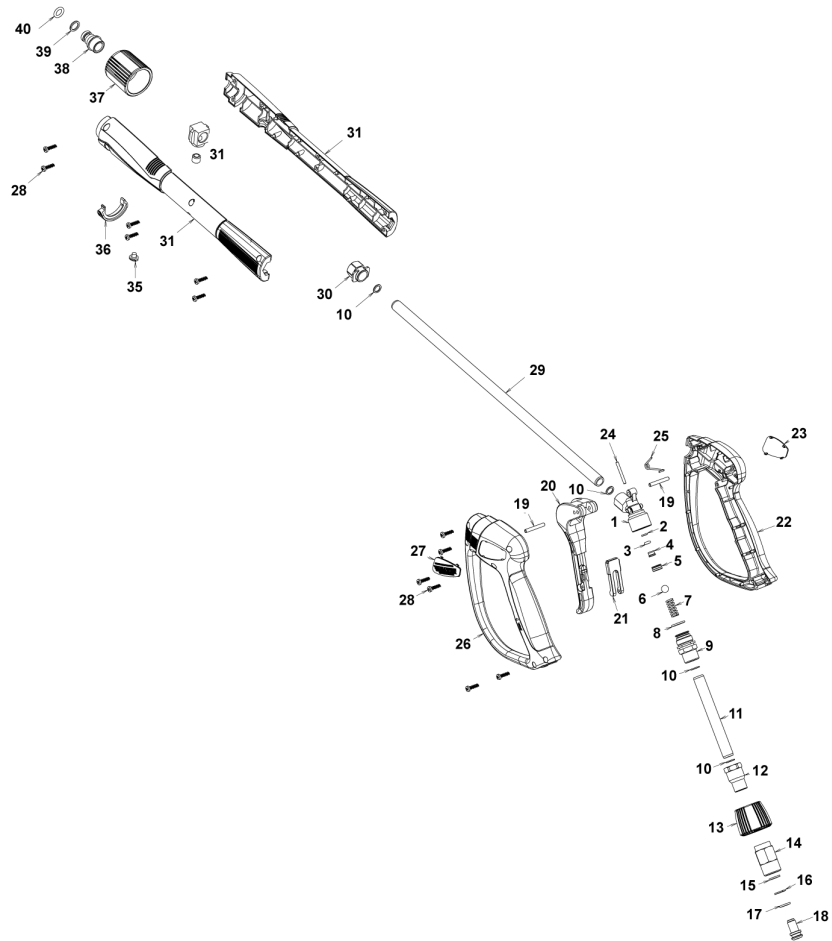


Ref.	K	Part N.	Customer Part N.	Description	Qty	Validity:		Price
						From	To	
F		MEVR00237		FUSE 5X20 3,15A	1,00			--
K		METT40014		CONTACTOR SIE 3RT 2018-1AB01 24V	1,00			--
EC		MECE40024		PCB PW-H35 TSI+CO+VRT MST-H	1,00			--
EV		MEBE43704		COIL DNF 24-50	1,00			--
IG		MECI40017		COMMUTAT.SWITCH0-1-2 UN.	1,00			--
TA		METR88630		TRANSFORMER 23/240V-5/60HZ 2X26KV TR.	1,00			--
TH		METK40011		THERMOSTAT 0-150° L=1500 F&C	1,00			--
TR		METR40012		TRANSFORMER 25VA 230-400/24 5/60HZ FS	1,00			--
TS		METK34839		THERMOSTAT 60°C TR/711-N C.1.5	1,00	10/2015		--
CV1		MECB17414		CABLE H07 RNF 4X2.5 L=6.500	1,00			--
P1,2		MEPF76254		PRESSURE SWITCHPR 5 1/4M 25BAR	2,00			--

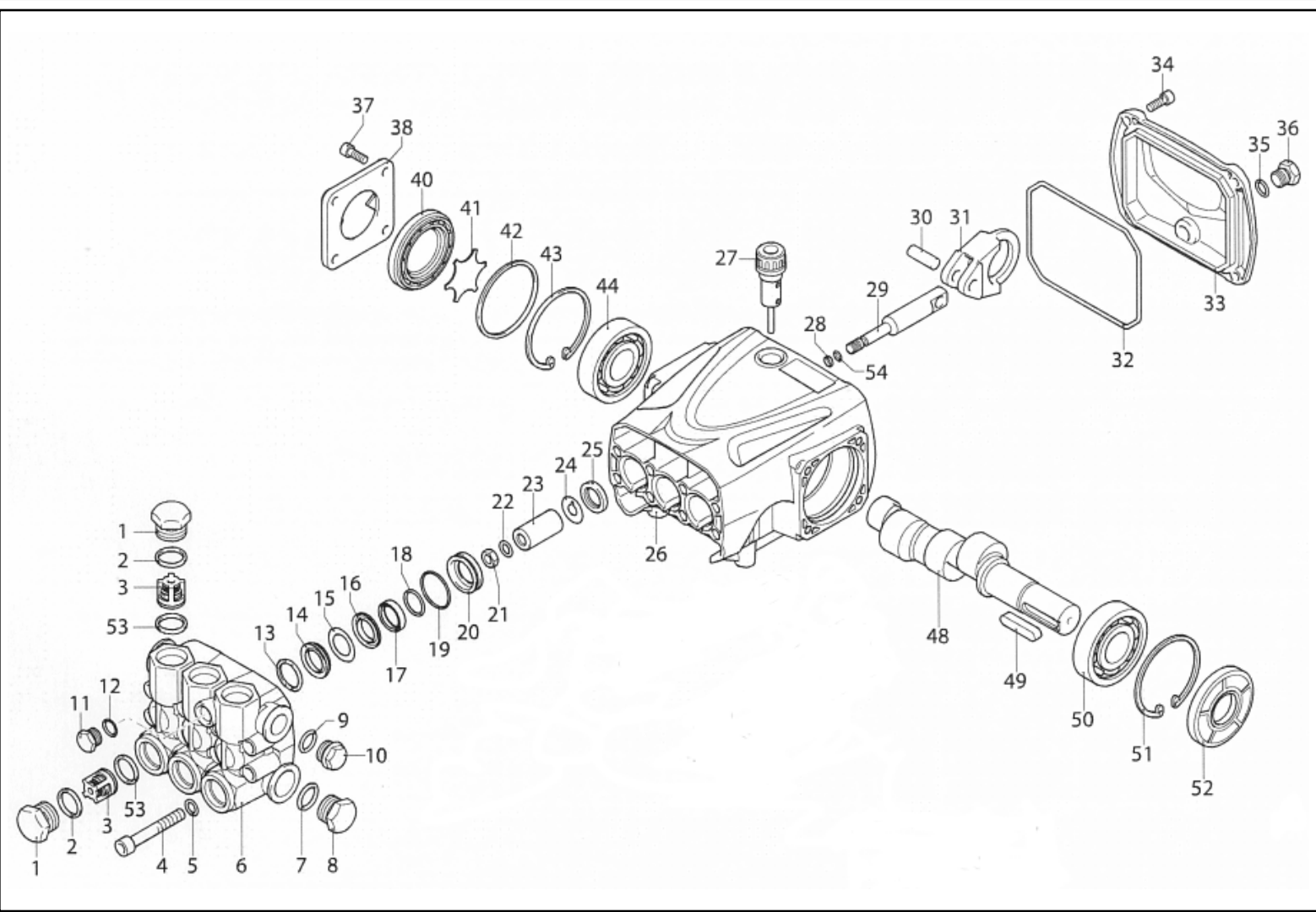




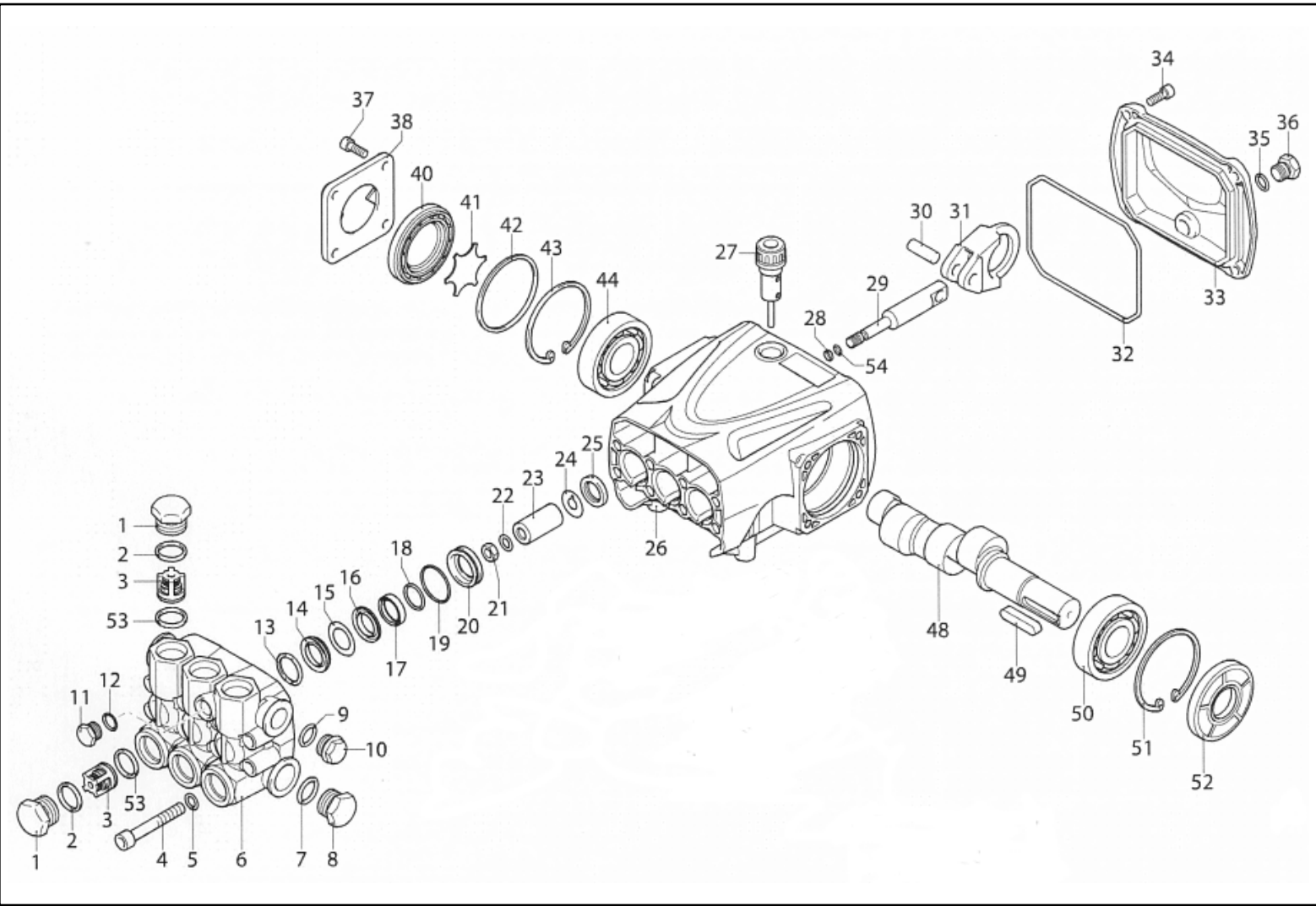
Ref.	K	Part N.	Customer Part N.	Description	Qty	Validity: From To	Price
0001		PVVR40381		GUN BODY G 5100 G1/4F	1,00		--
0002	S	GUVR40074		ANTI-EXTR.RING D. 3 X 7.4X1.3	1,00		--
0003	S	GUGO21835		O-RING D. 2.84 X 2.62 VIT. 80SH	1,00		--
0004		PVVR40382		PISTON GUIDE G 5100	1,00		--
0005	S	PVVR40112		BALL SEAT G 5000	1,00		--
0006	S	SFVR40002		BALL D. 11/32" ALL.GR16	1,00		--
0007		MLML40016		SPRING D. 9.4 x21.5x1.6 G5000	1,00		--
0008		GUGO12322		O-RING D. 14 X 1.78 NBR 90SH	1,00		--
0009		PVVR40383		CONNECTOR COLL.G5100 1/4F	1,00		--
0010		VTRS40017		WASHER D. 8.2X11.4X1.00	4,00		--
0011		PVVR40384		TUBE G 1/4" L.105	1,00		--
0012		RCIN40022		CONNECTOR SWIV G5100 1/4F	1,00		--
0013		MPVR40819		RING NUT G 5100 SW. BK.	1,00		--
0014		RCIN40021		JOINT SWIV 5100 M22	1,00		--
0015	S	GUVR40075		ANTI-EXTR.RING D. 10 X14X1.5	1,00		--
0016	S	GUVR40076		ANTI-EXTR.RING D. 11.2X14X1.2	1,00		--
0017	S	GUGO15295		O-RING D. 10.82 X 1.78 VIT 80SH	1,00		--
0018		PVVR40386		SCREW SW. G 5100	1,00		--
0019		VTVR40047		PLUG D. 4X29	2,00		--
0020		MPVR40820		TRIGGER G 6000-SW	1,00		--
0021		MPVR40821		SAFETY-DEVICE G 6000-SW	1,00		--
0022		MPVR40822		SHELL G 6000-SW DX	1,00		--
0023		MPVR40823		PLATE G 6000 GR.DX	1,00		--
0024		PVVR40387		SMALL PISTON G 5100	1,00		--
0025		MLML40029		SPRING G 5100	1,00		--
0026		MPVR40824		SHELL G 6000-SW SX	1,00		--
0027		MPVR40825		PLATE G 6000 GR.SX	1,00		--
0028		VTVT40043		SCREW AF 4X 14 HILO ZN.N	12,00		--
0029		LCPR40086		TUBE 1/4 L=420 ZC. 0°	1,00		--
0030		MPVR40493		CONNECTOR G 5100-SW	1,00		--
0031		MPVR40494		PROTECTION P 420 C/AN.	1,00		--
0035		MPVR40198		CAP G 5000	1,00		--
0036		MPVR40495		CAP G 5100 REM.	1,00		--
0037		PVVR40119		CONNECTION M22X1,5 IRV G5000	1,00		--
0038		RCIN40009		GUDGEON G 1/4 F IRV G5000	1,00		--
0039		GUVR40034		ANTI-EXTR.RING D. 10 X14	1,00		--
0040		GUGO01946		O-RING D. 9.13 X 2.62 VIT 70SH	1,00		--



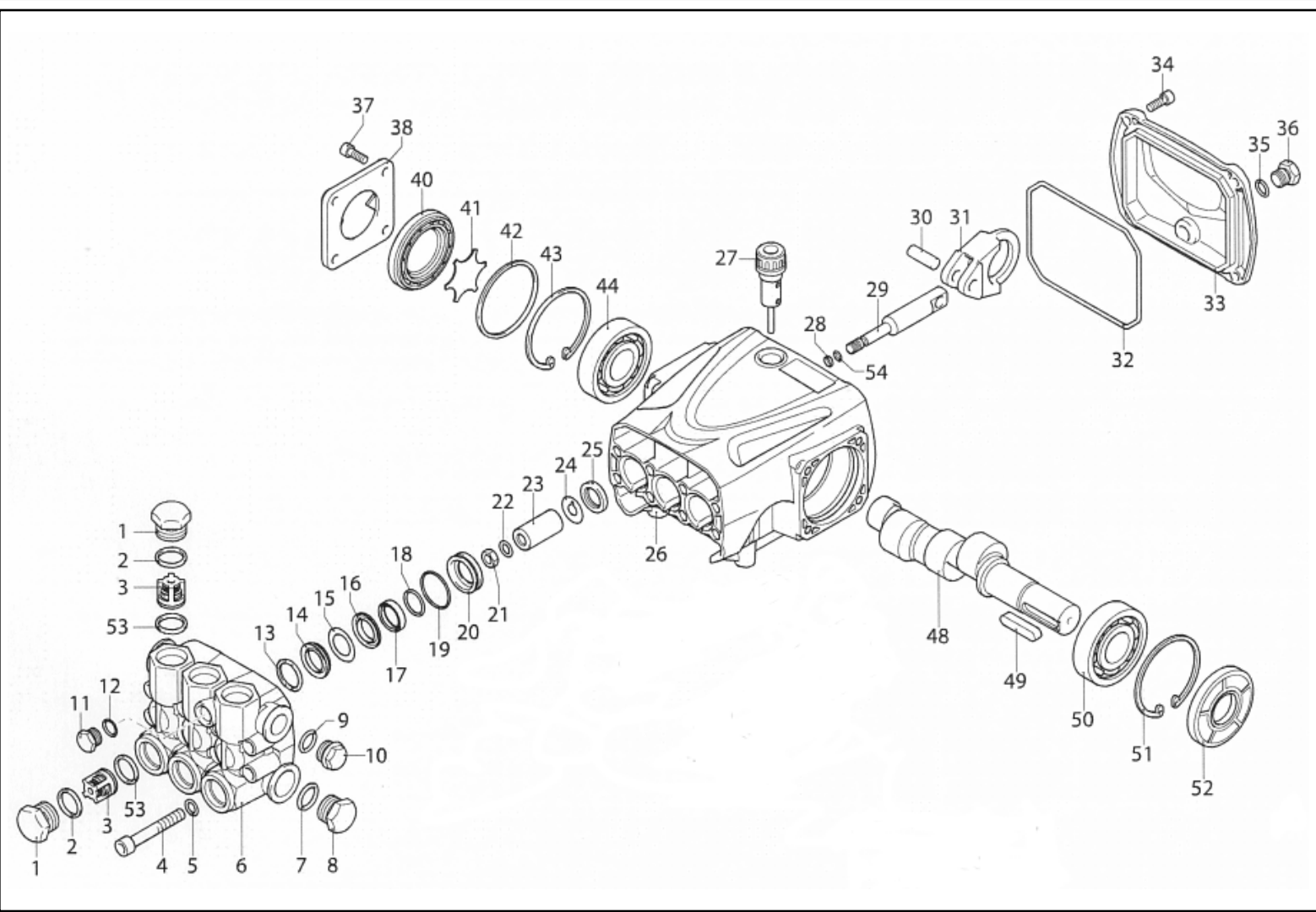
Ref. Part N.	Cust. Part N.	Description	Reference	Price
KTRI40243		KIT P 26- 26 SWIVEL G 5100	0015 0016 0017	--
KTRI40414		KIT P 26- 34 G 6000	0002 0003 0005 0006	--



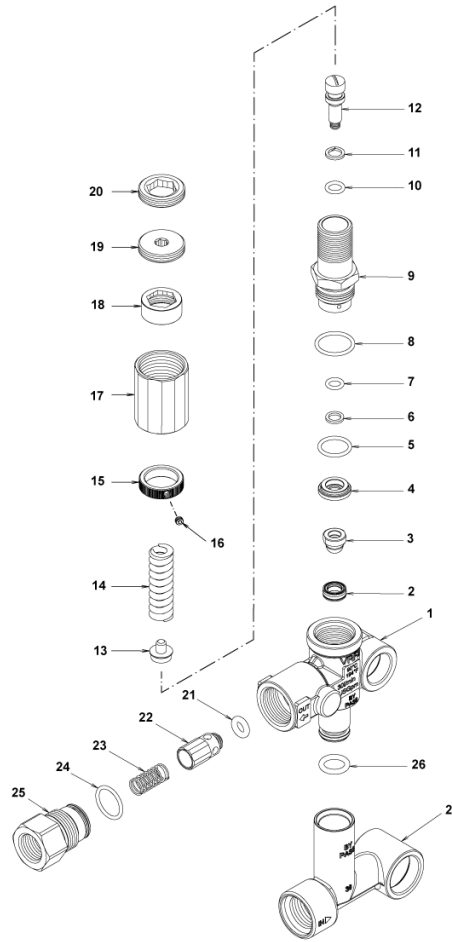
Ref.	K	Part N.	Customer Part N.	Description	Qty	Validity: From To	Price
0001		PVVR40161		CAP AR RR	6,00		--
0002		GUGO03502		O-RING D. 17.86 X 2.62 NBR 70SH	6,00		--
0003	S	VVAM40003		VALVE UNIT RR	6,00		--
0004		VTVT63018		SCREW TCEI M 8X55 ZC U.5931	8,00		--
0005		VTRS14242		WASHER D. 8.4X13X0.8 UNI7064 SCH	8,00		--
0006		MFVR40028		HEAD AR RR OT.	1,00		--
0007		GUGO19245		O-RING D. 17.5 X 2 NBR 70SH	1,00		--
0008		PVVR40121		CAP 1/2 M RC	1,00		--
0009		GUGO09720		O-RING D. 14 X 1.78 NBR 70SH	1,00		--
0010		PVVR40099		CAP 3/8 M HRM	1,00		--
0011		PVVR40129		CAP 1/4 M RC	1,00		--
0012		GUGO01036		O-RING D. 10.82 X 1.78 NBR 70SH	1,00		--
0013	S	PVVR40122		HEAD RING D. 18 RC	3,00		--
0014	S	GUVR40035		PACKING D. 18 RC H.P.	3,00		--
0015	S	GUVR40043		ANTI-EXTR.RING D.18X28	3,00		--
0016	S	PVVR40162		INTERMED. RING D. 18 RR	3,00		--
0017	S	GUVR40036		PACKING D. 18 RC L.P.	3,00		--
0018	S	GUVR40037		ANTI-EXTR.RING D.21	3,00		--
0019	S	GUGO19290		O-RING D. 23.52 X 1.78 NBR 70SH	3,00		--
0020	S	PVVR40163		PACKING RETAIN.D. 18 RR	3,00		--
0021		VTDD00483		NUT M 8 ZIN UNI 5588	3,00		--
0022		VTRS19394		WASHER D. 8X13X0.5	3,00		--
0023	S	PIVR40007		PISTON D.18 RR	3,00		--
0024		PVVR19233		DISC XTS	3,00		--
0025	S	GUGO09690		OIL SEAL 15X 24X 5 NBR70	3,00		--
0026		MFVR40030		PUMP CRANKCASE AR RR	1,00		--
0027		PVVR19231		OIL CAP XTS	1,00		--
0028		GUGO08071		O-RING D. 4.48 X 1.78 NBR 70SH	3,00		--
0029		PVVR40176		PISTON GUIDE RR	3,00		--
0030		PVVR40178		GUIDGEON D. 9 RR	3,00		--
0031		BLVR40002		CONNECTING ROD RR	3,00		--
0032		GUGO40017		O-RING D. 107.62 X 2.62 NBR 70SH	1,00		--
0033		MFVR40029		CRANKCASE COVER AR RR	1,00		--
0034		VTVT09913		SCREW TCEI 6X16 UNI5931	4,00		--
0035		GUGO01036		O-RING D. 10.82 X 1.78 NBR 70SH	1,00		--
0036		PVVR40129		CAP 1/4 M RC	1,00		--
0037		VTVT09913		SCREW TCEI 6X16 UNI5931	4,00		--
0038		MFVR40021		CRANKCASE COVER AR RC LT.	1,00		--
0040		PVVR40179		OIL INDICATOR RR	1,00		--



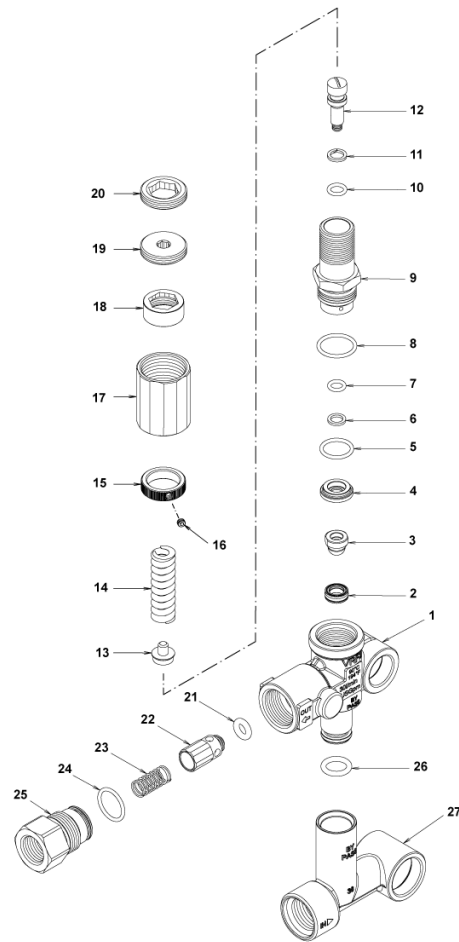
Ref.	K	Part N.	Customer Part N.	Description	Qty	Validity:		Price
						From	To	
0041		PVVR40125		DISC RC	1,00			--
0042		GUGO09030		O-RING 56X82 X2.62 - NBR	1,00			--
0043		VTAE10405		CIRCLIP D. 62 UNI 7437	1,00			--
0044		CUVR09654		BALL BEARING 6305	1,00			--
0048		ALMO40012		SHAFT AR RR 15LT VRS. N	1,00			--
0049		VTVR41531		KEY 8X 7X35 UNI 6604A	1,00			--
0050		CUVR09654		BALL BEARING 6305	1,00			--
0051		VTAE10405		CIRCLIP D. 62 UNI 7437	1,00			--
0052	S	GUGO40018		OIL SEAL 25X 62X 8 NBR70	1,00			--
0053	S	GUGO02259		O-RING D. 15.54 X 2.62 NBR 70SH	6,00			--
0054		GUVR40044		ANTI-EXTR.RING D. 5 X 8 X1	3,00			--



Ref. Part N.	Cust. Part N.	Description	Reference	Price
KTRI40095	KIT P	15-42903 D.18 RC	0013	--
KTRI40142	KIT P	15-42909 RR	0003 0053	--
KTRI40143	KIT P	15-42904 D.18 RR	0023	--
KTRI40144	KIT P	15-42922 RR	0025 0052	--
KTRI40145	KIT P	15-42924 D.18 RR	0014 0015 0017 0018 0019	--
KTRI40146	KIT P	15-42923 D.18 RR	0016 0020	--



Ref. K	Part N.	Customer Part N.	Description	Qty	Validity: From	To	Price
0001	PVVR40362		VALVE BODY VRF2	1,00			--
0002	S PVVR40363		VALVE SEAT MV124 +OR	1,00			--
0003	S PVVR40364		COUPLING MV124	1,00			--
0004	S PVVR40365		SPACER MV124	1,00			--
0005	S GUGO12322		O-RING D. 14 X 1.78 NBR 90SH	1,00			--
0006	S GUVR40072		ANTI-EXTR.RING D. 6.5X 9.4	1,00			--
0007	S GUGO83861		O-RING D. 6.07 X 1.78 NBR 90SH	1,00			--
0008	S GUGO24913		O-RING D. 17.17 X 1.78 NBR 90SH	1,00			--
0009	S PVVR40388		CONNECTOR VRF2 RG.165 56A	1,00			--
0010	S GUGO03500		O-RING D. 6.75 X 1.78 NBR 70SH	1,00			--
0011	S GUVR40073		ANTI-EXTR.RING D. 7.1X10 X1.2 TBT	1,00			--
0012	S PVVR40367		SMALL PISTON D.10 VRF2	1,00			--
0013	S PVVR40368		SPRING PLATE MV124 25B	1,00			--
0014	S MLML47987		SPRING D. 3.25X41.1 MV 625	1,00			--
0015	S PVVR40369		RING NUT MV167.09	1,00			--
0016	S VTVT89696		SCREW EI-ST 4X 4 UNI5927 ZC	1,00			--
0017	S PVVR47989		CAP MV 625 REG.	1,00			--
0018	S PVVR47990		RING NUT MV 625 REG.	1,00			--
0019	S PVVR47991		REGISTER MV 625 REG.	1,00			--
0020	S PVVR47992		CLAMP MV 625 REG.	1,00			--
0021	S GUGO46053		O-RING D. 6 X 3 NBR 90SH	1,00			--
0022	PVVR40349		COUPLING VRT3	1,00			--
0023	MLML40026		SPRING VRT3	1,00			--
0024	S GUGO12321		O-RING D. 15.6 X 1.78 NBR 90SH	1,00			--
0025	PVVR40350		CONNECTOR VRT3 G 3/8F	1,00			--
0026	GUGO11225		O-RING D. 10.78 X 2.62 NBR 70SH	1,00			--
0027	PVVR40373		CONNECTOR VRF2.24	1,00			--



Ref. Part N.	Cust. Part N.	Description	Reference	Price
KTRI40237	KIT P	14-104 SEAL VRF2	0002 0003 0005 0006 0007 0008 0010 0011 0021 0024	--
KTRI40256	KIT P	14-105 VRF2 Reg.	0002 0003 0004 0005 0006 0007 0008 0009 0010 0011 0012 0013 0014 0015	--
			0016 0017 0018 0019 0020	--